

# Oxford

**Low Profile Mini Wall Pack**  
**Selectable Wattage / CCT / Photocell**  
**RoHS / IP66 Wet Location Listed**

We reserve the right to revise the design or components of any product without notice.

CATALOG #		TYPE
PROJECT/LOCATION		
APPROVED BY		

## SPECIFICATIONS

- DRIVER — Universal Voltage 120/277v Electronic Driver with 0-10V Dimming.
- FINISH — Corrosion Resistant Polyester Painted Finish.
- HOUSING — Die Cast Aluminum Housing.
- LENS — One-piece, UV-Stabilized Polycarbonate Diffuser.
- LIGHT ENGINE — Energy Efficient Light Emitting Diode (LED) - Selectable Wattage / CCT.
- LED LIFETIME — ≥50,000hrs.
- MOUNTING — Wall Mount.
- OPERATING AMBIENT TEMPERATURE — -40°C to +50°C (-40°F to 122°F)
- PHOTOCELL — Built-in Photocell which can be switched On or Off.
- COMPLIANCE — Built to comply with U.S. and Canadian safety standards.  
 ETL, DLC, RoHS Compliant. Made in USA. IP66 Rated, suitable for wet location.
- WARRANTY — 5-Year Limited Warranty.



## ORDERING INFO

ORDERING GUIDE:	Series	Wattage	CCT	Voltage	Finish	Options
-----------------	--------	---------	-----	---------	--------	---------

### SERIES

OX = Oxford

### COLOR TEMPERATURE

SCCT = \*Selectable CCT: 3000K | 4000K | 5000K

### FINISH

BZ = Bronze Finish

### WATTAGE

Refer to Below Chart for Wattage / Lumen Output

SLED = \*Selectable LED Wattages: 15W | 20W | 25W

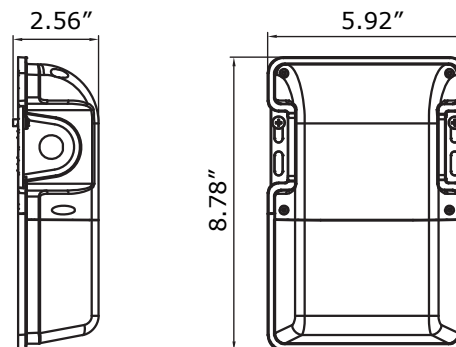
### VOLTAGE

UNV = Universal Volt (120-277v) Electronic Driver

*\*Note: Fixtures will ship from factory at lowest wattage and warmest CCT. It is the installer's responsibility to set the fixture at the desired wattage and CCT for their project.*

Low Power	Medium Power	High Power
15 Watt (1800 Lumens)	20 Watt (2400 Lumens)	25 Watt (3000 Lumens)

## DIMENSIONS



# Oxford

## Low Profile Mini Wall Pack

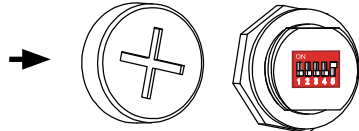
Selectable Wattage / CCT / Photocell

RoHS / IP66 Wet Location Listed

We reserve the right to revise the design or components of any product without notice.

CATALOG #		TYPE
PROJECT/LOCATION		
APPROVED BY		

### FEATURES



Removable Cap

Settings Controller  
Selectable Wattage / CCT  
Photocell (On/Off)

#### Selectable Wattage Settings



25W



20W



15W

#### Selectable Photocell Settings



ON



OFF

#### Selectable CCT Settings



5000K



4000K



3000K

### PHOTOMETRIC DATA

Summary of Results   OX-SLED35W-SCCT-3K-UNV					
Lumen Output	Efficacy	Input Power	CCT	Distribution	BUG Rating
2,922.7 Lumens	121.4 Lm/W	24.08W	3000K	Type IV	B1-U3-G2

LCS Summary	
Zone	Lumens
Forward Low (0-30)	459.9
Forward Medium (30-60)	909.6
Forward High (60-80)	462.7
Forward Very High (80-90)	124.4
Back Low (0-30)	272.4
Back Medium (30-60)	263.4
Back High (60-80)	80.8
Back Very High (80-90)	11.5
Up Low (90-100)	111.9
Up High (100-180)	226.1

