

We reserve the right to revise the design or components of any product without notice.

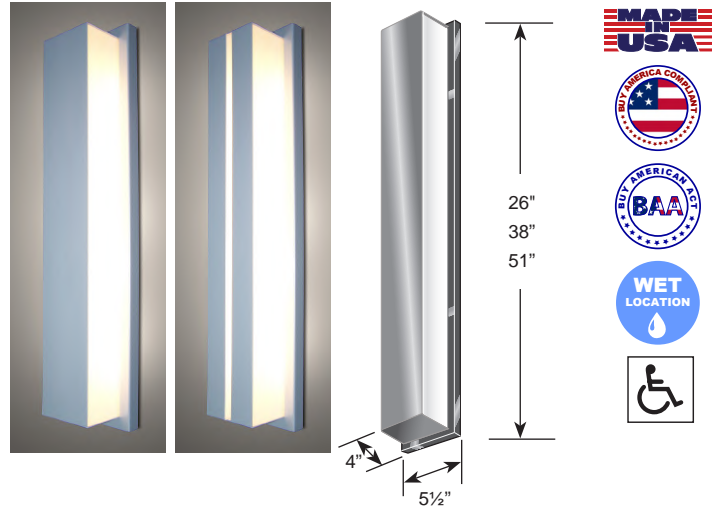
Aries

Narrow Rectangular Diffuser Solid or Slotted Shield

CATALOG #		TYPE
PROJECT/LOCATION		
APPROVED BY		

SPECIFICATIONS

- DRIVER — Universal Volt (120-277v) electronic driver with 0-10V dimming is standard.
- BACKPLATE — 16 Ga. aluminum (AL).
- DIFFUSER — White translucent, fully enclosed non-yellowing 100% virgin acrylic, .125 Thick (1/8").
- SHIELD — Solid Aluminum Opaque Shield with Optional Center-Cut Aperture along length of fixture - specify shield finish. Optional Color Window.
- FINISH — Corrosion and Weather resistant, extremely durable pre-treated oven baked polyester powder.
- GASKETING — High Temp., non-aging black EPDM and/or neoprene rubber around the entire lens perimeter & rear wire entrance hole to protect against dust, moisture & outside contaminants.
- FASTENERS — Stainless steel tamperproof screws —(2) To secure lens in place.
- LIGHT ENGINE — Energy Efficient Light Emitting Diode.
- MOUNTING — Use (4) or (6) 5/16" diameter holes for 1/4" diameter bolts for outdoor or indoor (no center access hole for J-Box mount). Must derate lamping for horizontal.
- COMPLIANCE — Built to comply with U.S. and Canadian safety standards. Suitable for wet locations.



ORDERING INFO

Series	Size	Wattage	CCT	CRI	Voltage	Finish	Options
ORDERING GUIDE:							

SERIES

AI = Aries Series

SIZE

- XL2 = 5 1/2"W x 26"L x 4"D
- XL3 = 5 1/2"W x 38"L x 4"D
- XL4 = 5 1/2"W x 51"L x 4"D

WATTAGE

Refer to Chart below for Size / Wattage Compatibility

- LED15 = 15 Watt LED
- LED30 = 30 Watt LED

COLOR TEMPERATURE (CCT)

- 3K = ±3000K Range
- 35K = ±3500K Range
- 4K = ±4000K Range
- 5K = ±5000K Range

COLOR RENDERING INDEX (CRI)

- 80CRI = 80 Color Rendering Index (STANDARD)
- 90CRI = 90 Color Rendering Index (Not Available for 5K)

VOLTAGE

UNV = Universal Volt (120-277v) Electronic Driver

STANDARD FINISH

- BK = Black Finish
- BZ = Bronze Finish
- PNA = Painted Natural Aluminum
- SGR = Silver Gray
- WH = White Finish

PREMIUM UPCHARGE FINISH

- CC = Custom Color (Visit www.ralcolor.com)
- Provide RAL# or Make-to-Match Color Chip

CONTROL OPTIONS

- MANUAL CONTROL (Wall Switch or Control System)
- Note: 0-10V 100%-30% is Standard
- D7A = 0-10VDC LED Dimming Driver (100-10%)
- D7B = 0-10VDC LED Dimming Driver (100-1%)

SHIELD OPTIONS

- CW = Center Window
- Color Options:
- AM = Amber
- BL = Blue
- GN = Green
- RD = Red
- WH = WH
- CC = Custom Color (Consult Factory)

BACK BOX OPTIONS

Note: For Surface Conduit and Integral EM

- BBX2 = 26" x 2" Back Box
- BBX3 = 38" x 2" Back Box
- BBX4 = 51" x 2" Back Box

MISC OPTIONS

- FUS = Single Fusing

EMERGENCY BATTERY OPTIONS

Meets California Energy Commission Title 20:
(CEC-400-2014-009-CMF) Efficiency Standards

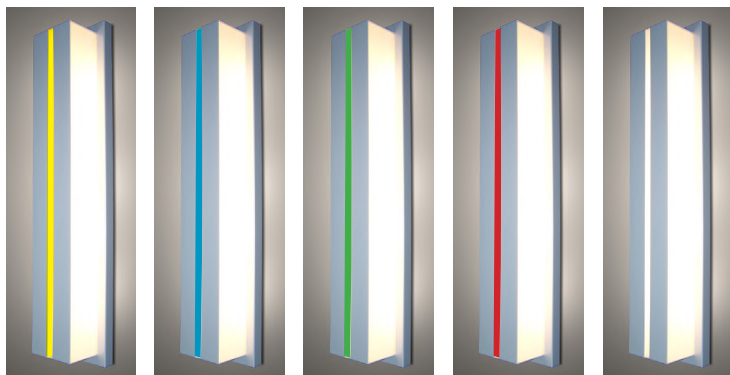
- EL4W = Integral LED 4 Watt
- REL8W = Remote LED 8 Watt
- REL10W = Remote LED 10 Watt
- REL16W = Remote LED 16 Watt

ACCESSORY OPTIONS (order as a separate line)

- 9002 = Tamperproof Screwdriver

NOTES:

- ② Backbox (BB) Required. Adding Backbox is Non-ADA compliant
- ① Horizontal mounting in exterior applications require Back Box.
- ③ Max WHIP length of the REL is 8 feet.
- ⑤ Final selection of the Battery Pack under discretion of Factory



SIZE / LED WATTAGE			
Fixture Size	XL2	XL3	XL4
Dimensions - W x H x D	5 1/2" x 26" x 4"	5 1/2" x 38" x 4"	5 1/2" x 51" x 4"
Light Emitting Diode	LED	LED15	LED30