

GAEL SQUARE

High Abuse Square Wall Sconce
Selectable Wattage / CCT or
Static Wattage and Static CCT w/EM Option
ADA Compliant / IP66 Wet Location

We reserve the right to revise the design or components of any product without notice.

CATALOG #		TYPE
PROJECT/LOCATION		
APPROVED BY		

SPECIFICATIONS

- DRIVER — Universal Voltage 120/277V Electronic Driver.
- FINISH — Corrosion Resistant Polyester Powder Coated Finish.
- HOUSING — Die Cast Aluminum Housing.
- LENS — Anti-Yellowing and High Transmission Polycarbonate Diffuser.
- LIGHT ENGINE — Energy Efficient LED Light Engines.
- LED LIFETIME — ≥50,000hrs.
- MOUNTING — Mounts to standard 3" and 4" recessed junction boxes via mounting strap. Can also be 4-point mounted via supplied mounting screws.
- OPERATING AMBIENT TEMPERATURE — -20°C to +40°C (-4°F to 122°F)
- COMPLIANCE — Built to comply with U.S. and Canadian safety standards. ETL, RoHS, ADA, Buy American Act (BAA) Compliant. IP66 Rated, suitable for wet location.
- WARRANTY — 5-Year Limited Warranty.



Gael Square Jupiter (GA-S-JU)



Gael Square Neptune (GA-S-NE)



Gael Square Orion (GA-S-ON)



Gael Square Sputnik (GA-S-SPK)



ORDERING INFO - SELECTABLE WATTAGE/CCT SERIES

Series	Wattage	CCT	Voltage	Finish	Options
ORDERING GUIDE:	SLED	SCCT	UNV		

SERIES

GA-S-JU = Gael Square Jupiter Series
 GA-S-NE = Gael Square Neptune Series
 GA-S-ON = Gael Square Orion Series
 GA-S-SPK = Gael Square Sputnik Series

WATTAGE

Refer to Below Chart for Wattage / Lumen Output
 SLED = *Selectable LED Wattages: 18W | 20W | 22W

COLOR TEMPERATURE

SCCT = *Selectable CCT: 3000K | 4000K | 5000K

*Note: Fixtures will ship from factory at lowest wattage and warmest CCT. It is the installer's responsibility to set the fixture at the desired wattage and CCT for their project.

VOLTAGE

UNV = Universal Volt (120-277v) Electronic Driver
 — Non-Dimmable

STANDARD FINISH

BK = Black Finish
 BZ = Bronze Finish
 PNA = Painted Natural Aluminum Finish
 TW = Textured White Finish

PREMIUM UPCHARGE FINISH

CC = Custom Color (Visit www.ralcolor.com)
 — Provide RAL# or Make-to-Match Color Chip

PHOTOCELL OPTION

Note: Cannot be used with Sensor Option below
 PHOT = Photocell

OR

SENSOR OPTION (Sensor Integral to Fixture)

Note: Cannot be used with Photocell Option above
 OCC = Occupancy Sensing | Motion Sensor Integral
 — Operational at 18 Watt Only

MISC OPTIONS

ST = Solid Top (No Direct Uplight)
 TP = Torx Tamperproof Screws

ACCESSORY OPTIONS (order as a separate line)

9008 = T8 Torx Security Bit for Screwdriver

Low Power	Medium Power	High Power
18 Watt (2160 Lumens)	20 Watt (2400 Lumens)	22 Watt (2640 Lumens)

ORDERING INFO - STATIC WATTAGE/CCT SERIES

Series	Wattage	CCT	Voltage	Finish	Options
ORDERING GUIDE:			UNV		

SERIES

GA-S-JU = Gael Square Jupiter Series
 GA-S-NE = Gael Square Neptune Series
 GA-S-ON = Gael Square Orion Series
 GA-S-SPK = Gael Square Sputnik Series

WATTAGE

LED10 = 10 Watt LED
 LED15 = 15 Watt LED

COLOR TEMPERATURE

3K = ±3000K range LED
 35K = ±3500K range LED
 4K = ±4000K range LED
 5K = ±5000K range LED

VOLTAGE

UNV = Universal Volt (120-277v) Electronic Driver
 — 0-10V Dimming (100-10%) is Standard

STANDARD FINISH

BK = Black Finish
 BZ = Bronze Finish
 PNA = Painted Natural Aluminum Finish
 TW = Textured White Finish

PREMIUM UPCHARGE FINISH

CC = Custom Color (Visit www.ralcolor.com)
 — Provide RAL# or Make-to-Match Color Chip

PHOTOCELL OPTION

PHOT = Photocell²

SENSOR OPTION (Sensor Integral to Fixture)

OCC = Occupancy Sensing | Motion Sensor Integral²

MISC OPTIONS

ST = Solid Top (No Direct Uplight)
 TP = Torx Tamperproof Screws

BACK BOX OPTION

BBL = 14"H x 5"W x 1.5"D Back Box (For Surface Conduit)

EMERGENCY BATTERY OPTIONS

Meets California Energy Commission Title 20:
 (CEC-400-2014-009-CMF) Efficiency Standards
 EL10W = Integral LED 10 Watt²

Cold Weather Emergency Batteries:

Operating Temp: -20°C thru 50°C / NON-CEC Compliant
 EL10W-CW = Integral LED 10 Watt (Cold Weather)²

ACCESSORY OPTIONS (order as a separate line)

9008 = T8 Torx Security Bit for Screwdriver

NOTES:

² Backbox (BB) Required.



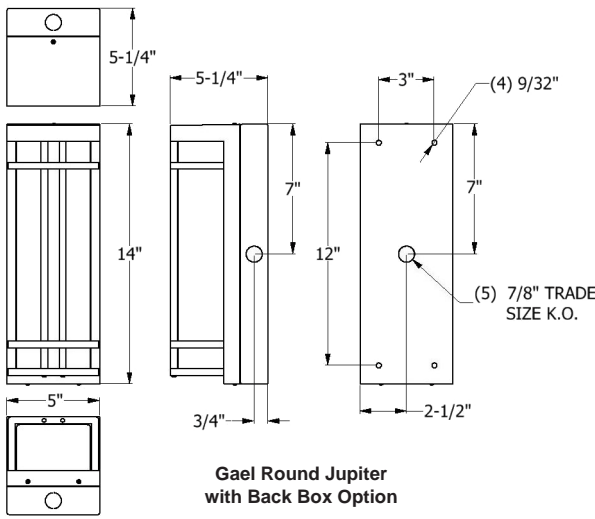
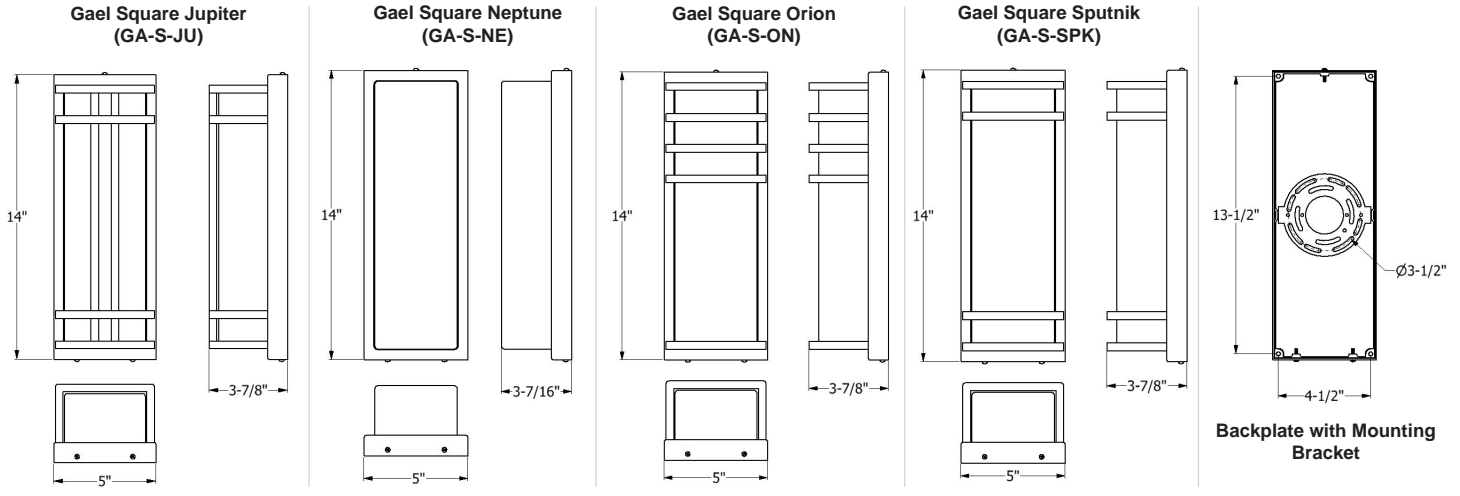
GAEL SQUARE

High Abuse Square Wall Sconce
Selectable Wattage / CCT or
Static Wattage and Static CCT w/EM Option
ADA Compliant / IP66 Wet Location

We reserve the right to revise the design or components of any product without notice.

CATALOG #		TYPE
PROJECT/LOCATION		
APPROVED BY		

DIMENSIONS / OPTIONS



**Gael Round Jupiter
with Back Box Option**

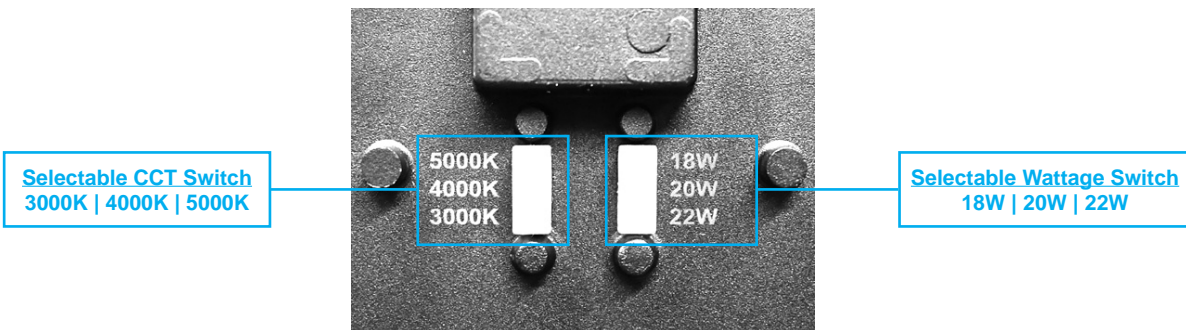


**Shown with
Optional Back Box**



**Solid Top (ST)
No Direct Uplight**

SELECTABLE WATTAGE / CCT



Selectable CCT Switch
3000K | 4000K | 5000K

5000K
4000K
3000K

18W
20W
22W

Selectable Wattage Switch
18W | 20W | 22W

Selectable Wattage / CCT Switches
Located on Back of Fixture