

# Galileo Family Classic Pendant Series

Indoor

We reserve the right to revise the design or components of any product without notice.

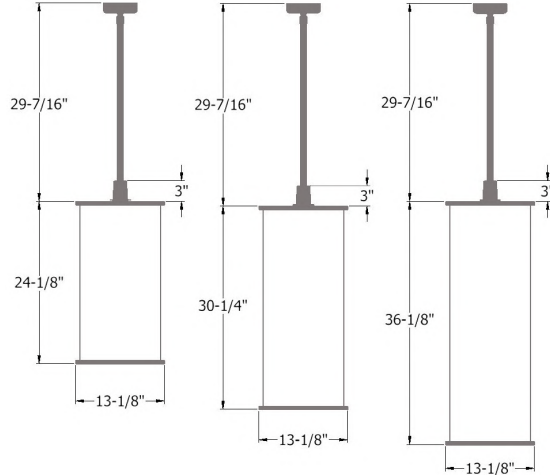
CATALOG #		TYPE
PROJECT/LOCATION		
APPROVED BY		

## SPECIFICATIONS

- DIFFUSER** — White translucent, non-yellowing 100% virgin acrylic, .125 Thick (1/8"), 12" I.D with top and bottom bars as standard.  
See Lensing Options on Page 2 for details.
- DRIVER** — Universal Volt (120-277v) electronic driver with standard 0-10VDC dimming.
- FINISH** — Corrosion and Weather resistant, extremely durable pre-treated oven baked polyester powder.
- MOUNTING** — 36" stem is standard. Swivel and Static canopies as well as Rapid Mount options are available. See Page 2 for details.
- COMPLIANCE** — Built to comply with U.S. and Canadian safety standards - Suitable for indoor dry locations.



Dimensions Shown for 24" Stem Length



Galileo Pendants are fully customizable.  
Consult factory for options not shown.

## ORDERING INFO

Series	Size	Mounting	Center Wattage	UP/DN Wattage	CCT	CRI	Voltage	Control Scenario	Finish	Top/Bottom Lensing	Options
CLP											

### SERIES

CLP = Classic Pendant

### SIZE

- XL1 = 24"
- XL2 = 30"
- XL3 = 36"

### MOUNTING ④

- ST24 = 24" Stem (1/2" Dia.) w/ Static Canopy
- ST(XX) = Custom Stem Length (Specify) w/ Static Canopy
- SW24 = 24" Stem (1/2" Dia.) w/ Swivel Canopy
- SW(XX) = Custom Stem Length (Specify) w/ Swivel Canopy
- CLSM = Cluster Mounting (Consult Factory)

### LED WATTAGE

Refer to Below Chart for Size / Wattage Compatibility  
LED(xx) = LED Center Light (xx = Wattage, ex: LED40)  
UP(xx) = Uplight (xx = Wattage, ex: UP10)  
DN(xx) = Downlight (xx = Wattage, ex: DN10)

### COLOR TEMPERATURE (CCT)

- 3K = ±3000K range LED
- 35K = ±3500K range LED
- 4K = ±4000K range LED
- 5K = ±5000K range LED

### COLOR RENDERING INDEX (CRI)

- 80CRI = 80 Color Rendering Index (STANDARD)
- 90CRI = 90 Color Rendering Index (Not Available for 5K)

### VOLTAGE

UNV = Universal Volt (120-277v) Driver

### CONTROL SCENARIO ⑤

Required for fixtures with Uplight/Downlight (UP/DN).  
See details on next page.  
Choose one = Ex: 1A

### FINISH

- BK = Black Finish
- BZ = Bronze Finish
- PNA = Painted Natural Aluminum
- SGR = Silver Gray
- WH = White Finish

### PREMIUM UPCHARGE FINISH

CC = Custom Color (Visit [www.ralcolor.com](http://www.ralcolor.com))  
— Provide RAL# or Make-to-Match Color Chip

### INHIBITOR FINISH

+NAT = Epoxy Coating for Chlorine Environments

### TOP & BOTTOM LENSING

Note: You must select both a top & bottom lensing selection ⑥

- CT = Clear Top Lens
- CB = Clear Bottom Lens
- CTB = Clear Top & Bottom Lens
- OT = Open Top (No Lensing)
- OB = Open Bottom (No Lensing)
- OTB = Open Top & Bottom (No Lensing)
- OQT = Opaque Top (No Up Light)
- OQB = Opaque Bottom (No Down Light)
- OQTB = Opaque Top & Bottom (No Up or Down Light)
- TT = Translucent Top Lens
- TB = Translucent Bottom Lens
- TTB = Translucent Top & Bottom Lens

### DIMMING / CONTROL OPTIONS

Note: 0-10V 100%-30% is Standard  
D7A = 0-10VDC LED Dimming Driver (100-10%)  
D7B = 0-10VDC LED Dimming Driver (100-1%)

### MISC OPTIONS

FUS = Single Fusing

### NOTES:

- See Mounting Options on Page 2.
- See Control Scenarios on Page 2.
- Both top and bottom lensing options **must** be chosen. See full details on Page 3
- Total Wattage includes Center Light with Uplight and/or Downlight

Fixture Size		XL1 (Total Max Wattage = 60W <sup>⑦</sup> )	XL2 (Total Max Wattage = 60W <sup>⑦</sup> )	XL3 (Total Max Wattage = 90W <sup>⑦</sup> )
Dimensions - W x H x D		24 1/8" Tall x 13 1/8" Diameter	30 1/4" Tall x 13 1/8" Diameter	36 1/8" Tall x 13 1/8" Diameter
Center Light Emitting Diode (Required)	LED	LED40 / LED60	LED40 / LED60	LED40 / LED60
LED Uplight/Downlight (Optional) Combinations are allowed	UP/DN	UP10 / UP15 DN10 / DN15	UP10 / UP15 DN10 / DN15	UP10 / UP15 DN10 / DN15



# Galileo Family

## Classic Pendant Series

Indoor

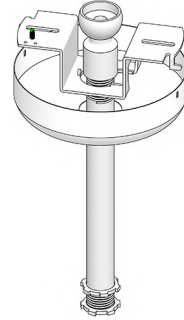
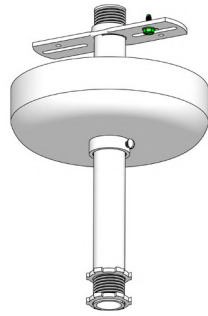
We reserve the right to revise the design or components of any product without notice.

CATALOG #		TYPE
PROJECT/LOCATION		
APPROVED BY		

### MOUNTING OPTIONS

ST24 - Static Canopy (Not to be used on Sloped Ceiling)

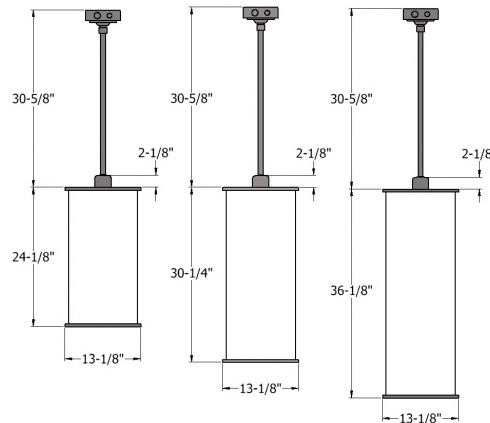
SW24 - Swivel Canopy



### (RMB) MOUNTING



Dimensions Shown for 24" Stem Length

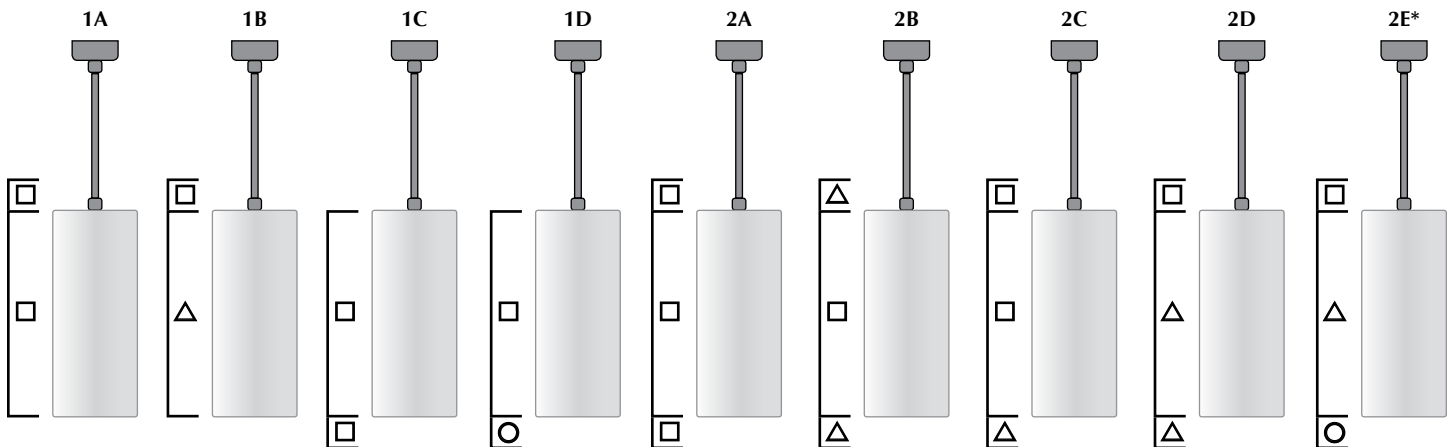


### CONTROL SCENARIOS

- = Circuit #1
- △ = Circuit #2
- = Circuit #3

- Examples: □ & □ = Circuit #1A  
 □ & ○ = Circuit #1D  
 □ & △ & ○ = Circuit #2E

\*Not available on 24" fixtures



# Galileo Family

## Classic Pendant Series

Indoor

We reserve the right to revise the design or components of any product without notice.

CATALOG #		TYPE
PROJECT/LOCATION		
APPROVED BY		

**TOP & BOTTOM LENSING (Required)**

**Open Top (OT) and/or Open Bottom (OB)**  
*(Not available for Damp or Wet Installations)*



**Clear Top (CT) and/or Clear Bottom (CB)**



**Translucent Top (TT) and/or Translucent Bottom (TB)**



**Opaque Top (OQT) and/or Opaque Bottom (OQB)**

