

Galileo Family Mercury Pendant Series

Indoor

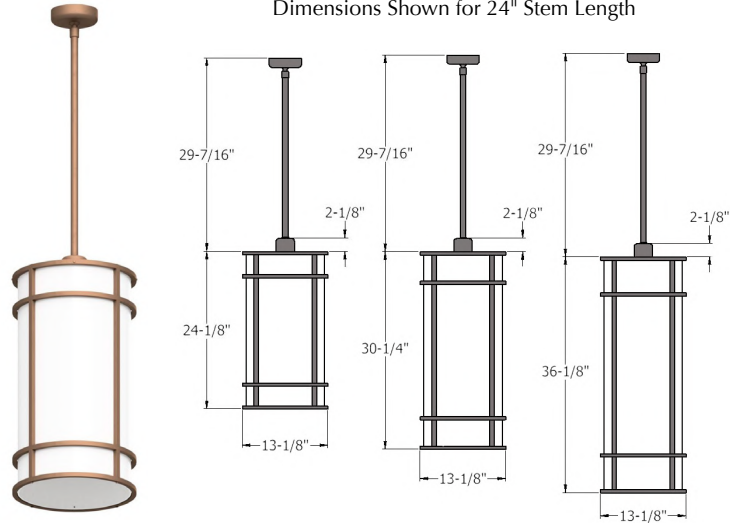
We reserve the right to revise the design or components of any product without notice.

CATALOG #		TYPE
PROJECT/LOCATION		
APPROVED BY		

SPECIFICATIONS

- CAGE** — Extruded aluminum bars. Top & bottom bars are standard.
- DIFFUSER** — White translucent, non-yellowing 100% virgin acrylic, .125 Thick (1/8"), 12" I.D with top and bottom bars as standard. See Lensing Options on Page 2 for details.
- DRIVER** — Universal Volt (120-277v) electronic driver with standard 0-10VDC dimming.
- FINISH** — Corrosion and Weather resistant, extremely durable pre-treated oven baked polyester powder.
- MOUNTING** — 36" stem is standard. Swivel and Static canopies as well as Rapid Mount options are available. See Page 2 for details.
- COMPLIANCE** — Built to comply with U.S. and Canadian safety standards - Suitable for indoor dry locations.

Dimensions Shown for 24" Stem Length



Galileo Pendants are fully customizable. Consult factory for options not shown.

ORDERING INFO

Series	Size	Mounting	Center Wattage	UP/DN Wattage	CCT	CRI	Voltage	Control Scenario	Finish	Top/Bottom Lensing	Options
MEP											

ORDERING GUIDE:

SERIES

MEP = Mercury Pendant

SIZE

- XL1 = 24"
- XL2 = 30"
- XL3 = 36"

MOUNTING ⁴

- ST24 = 24" Stem (1/2" Dia.) w/ Static Canopy
- ST(XX) = Custom Stem Length (Specify) w/ Static Canopy
- SW24 = 24" Stem (1/2" Dia.) w/ Swivel Canopy
- SW(XX) = Custom Stem Length (Specify) w/ Swivel Canopy
- CLSM = Cluster Mounting (Consult Factory)

LED WATTAGE

Refer to Below Chart for Size / Wattage Compatibility
 LED(xx) = LED Center Light (xx = Wattage, ex: LED40)
 UP(xx) = Uplight (xx = Wattage, ex: UP10)
 DN(xx) = Downlight (xx = Wattage, ex: DN10)

COLOR TEMPERATURE (CCT)

- 3K = ±3000K range LED
- 35K = ±3500K range LED
- 4K = ±4000K range LED
- 5K = ±5000K range LED

COLOR RENDERING INDEX (CRI)

- 80CRI = 80 Color Rendering Index (STANDARD)
- 90CRI = 90 Color Rendering Index (Not Available for 5K)

VOLTAGE

UNV = Universal Volt (120-277v) Driver

CONTROL SCENARIO ⁵

Required for fixtures with Uplight/Downlight (UP/DN). See details on next page.
 Choose one = Ex: 1A

FINISH

- BK = Black Finish
- BZ = Bronze Finish
- PNA = Painted Natural Aluminum
- SGR = Silver Gray
- WH = White Finish

PREMIUM UPCHARGE FINISH

CC = Custom Color (Visit www.ralcolor.com)
 — Provide RAL# or Make-to-Match Color Chip

INHIBITOR FINISH

+NAT = Epoxy Coating for Chlorine Environments

TOP & BOTTOM LENSING

Note: You must select both a top & bottom lensing selection ⁶

- CT = Clear Top Lens
- CB = Clear Bottom Lens
- CTB = Clear Top & Bottom Lens
- OT = Open Top (No Lensing)
- OB = Open Bottom (No Lensing)
- OTB = Open Top & Bottom (No Lensing)
- OQT = Opaque Top (No Up Light)
- OQB = Opaque Bottom (No Down Light)
- OQTB = Opaque Top & Bottom (No Up or Down Light)
- TT = Translucent Top Lens
- TB = Translucent Bottom Lens
- TTB = Translucent Top & Bottom Lens

DIMMING / CONTROL OPTIONS

Note: 0-10V 100%-30% is Standard
 D7A = 0-10VDC LED Dimming Driver (100-10%)
 D7B = 0-10VDC LED Dimming Driver (100-1%)

MISC OPTIONS

FUS = Single Fusing

NOTES:

- See Mounting Options on Page 2.
- See Control Scenarios on Page 2.
- Both top and bottom lensing options **must** be chosen. See full details on Page 3
- Total Wattage includes Center Light with Uplight and/or Downlight

Fixture Size		XL1 (Total Max Wattage = 60W ⁷)	XL2 (Total Max Wattage = 60W ⁷)	XL3 (Total Max Wattage = 90W ⁷)
Dimensions - W x H x D		24 1/4" Tall x 13 1/8" Diameter	30 1/4" Tall x 13 1/8" Diameter	36 1/8" Tall x 13 1/8" Diameter
Center Light Emitting Diode (Required)	LED	LED40 / LED60	LED40 / LED60	LED40 / LED60
LED Uplight/Downlight (Optional) Combinations are allowed	UP/DN	UP10 / UP15 DN10 / DN15	UP10 / UP15 DN10 / DN15	UP10 / UP15 DN10 / DN15

Galileo Family Mercury Pendant Series

Indoor

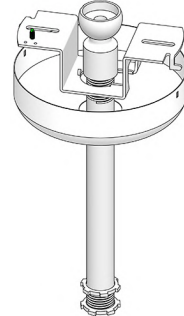
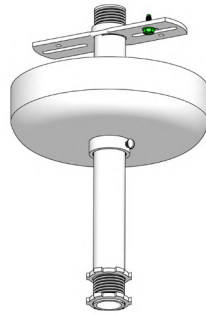
We reserve the right to revise the design or components of any product without notice.

CATALOG #		TYPE
PROJECT/LOCATION		
APPROVED BY		

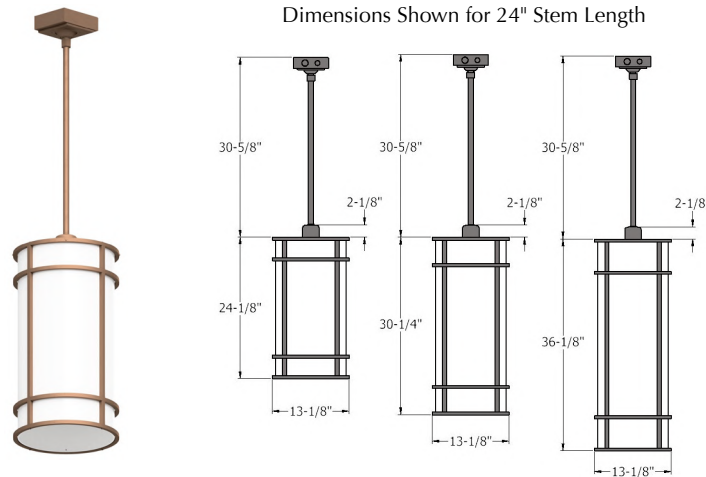
MOUNTING OPTIONS

ST24 - Static Canopy (Not to be used on Sloped Ceiling)

SW24 - Swivel Canopy



(RMB) MOUNTING

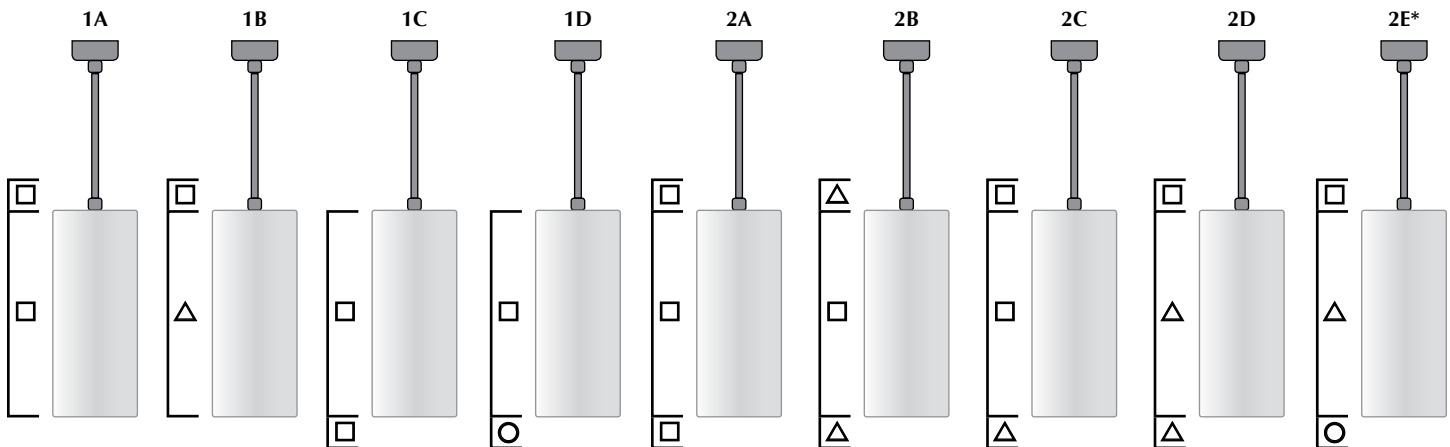


CONTROL SCENARIOS

- = Circuit #1
- △ = Circuit #2
- = Circuit #3

- Examples: □ & □ = Circuit #1A
 □ & ○ = Circuit #1D
 □ & △ & ○ = Circuit #2E

*Not available on 24" fixtures



Galileo Family

Mercury Pendant Series

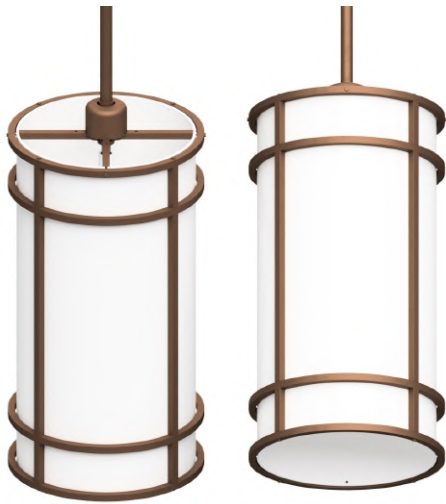
Indoor

We reserve the right to revise the design or components of any product without notice.

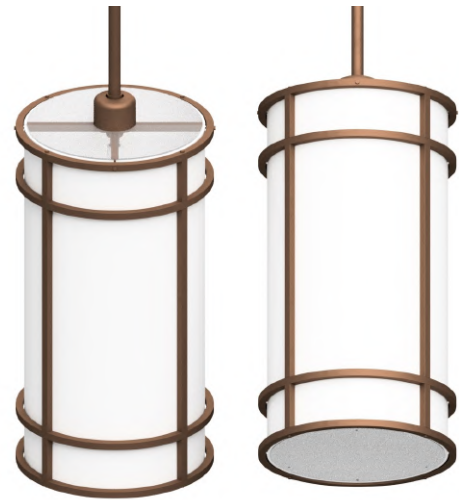
CATALOG #		TYPE
PROJECT/LOCATION		
APPROVED BY		

TOP & BOTTOM LENSING (Required) _____

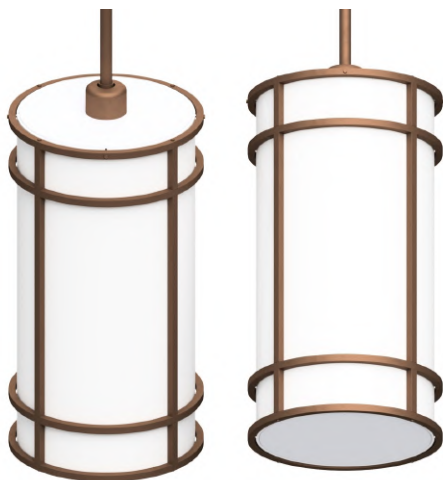
Open Top (OT) and/or Open Bottom (OB)
(Not available for Damp or Wet Installations)



Clear Top (CT) and/or Clear Bottom (CB)



Translucent Top (TT) and/or Translucent Bottom (TB)



Opaque Top (OQT) and/or Opaque Bottom (OQB)

