

Avian

Architectural Wall Sconce Luminaire

Sleek Modern Design / Indirect Illumination

Indoor / Outdoor Locations

We reserve the right to revise the design or components of any product without notice.

CATALOG #		TYPE
PROJECT/LOCATION		
APPROVED BY		

SPECIFICATIONS

- DIFFUSER — White translucent, non-yellowing 100% virgin acrylic.
- DRIVER — Universal Volt (120-277v) electronic driver with 0-10V dimming.
- FINISH — Textured Polyester Powdercoat Finish.
- HOUSING — Aluminum Housing.
- LIGHT ENGINE — Energy efficient LED.
- MOUNTING — Use (4) or (6) 5/16" diameter holes for 1/4" diameter bolts for outdoor or indoor. 7/8" KO in Center for Wire Access.
- COMPLIANCE — Built to comply with U.S. and Canadian safety standards. Complies with the Buy America Act (BA), Buy American Act (BAA). Suitable for Wet Locations.
- WARRANTY — 5-Year Limited Warranty.



ORDERING INFO

Series	Size	Wattage	CCT	Voltage	Finish	Options

ORDERING GUIDE:

SERIES

AV = Avian Series

SIZE

- XL = 18" Height x 5.5" Width x 4.5" Depth
- XL1 = 21" Height x 5.5" Width x 4.5" Depth
- XL2 = 26" Height x 5.5" Width x 4.5" Depth

WATTAGE

Refer to Below Chart for Size / Wattage Compatibility
LED(xx) = LED (xx = Wattage, ex: LED15)

COLOR TEMPERATURE (CCT)

- 3K = ±3000K range LED
- 35K = ±3500K range LED
- 4K = ±4000K range LED
- 5K = ±5000K range LED

COLOR RENDERING INDEX (CRI)

- 80CRI = 80 Color Rendering Index (STANDARD)
- 90CRI = 90 Color Rendering Index (Not Available for 5K)

VOLTAGE

UNV = Universal Volt (120-277v) Electronic Driver

FINISH

- BK = Black Finish
- BZ = Bronze Finish
- PNA = Painted Natural Aluminum
- SGR = Silver Gray
- WH = White Finish

PREMIUM UPCHARGE FINISH

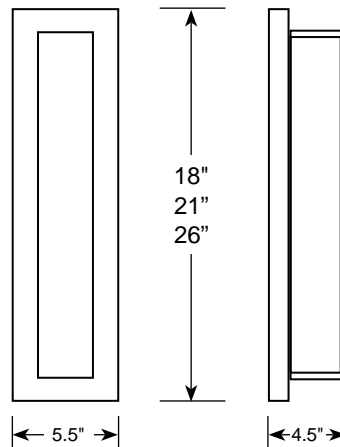
CC = Custom Color (Visit www.ralcolor.com)
— Provide RAL# or Make-to-Match Color Chip

DIMMING OPTIONS

Note: 0-10V 100%-30% is Standard
D7A = 0-10VDC LED Dimming Driver (100-10%)
D7B = 0-10VDC LED Dimming Driver (100-1%)

SIZE	XL	XL1	XL2
Wattages	15W Max (In 5W Increments)	20W Max (In 5W Increments)	25W Max (In 5W Increments)

DIMENSIONS



Avian

Architectural Wall Sconce Luminaire

Sleek Modern Design / Indirect Illumination

Indoor / Outdoor Locations

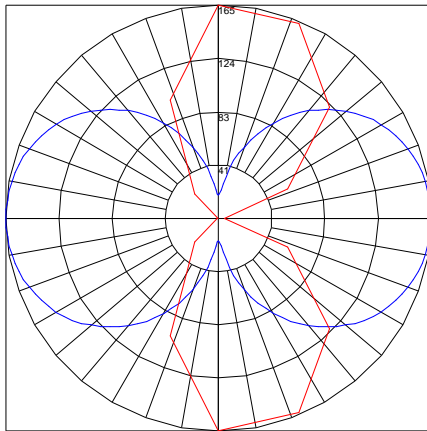
We reserve the right to revise the design or components of any product without notice.

CATALOG #		TYPE
PROJECT/LOCATION		
APPROVED BY		

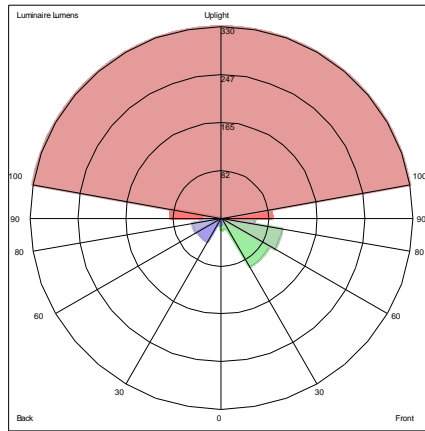
PHOTOMETRIC DATA

Test #: 104574085CHI-004		Test Catalogue #: AV-XL1-LED20-3K-90CRI-UNV-BK		Test Date: 10/11/2021				
Lamp Output	Lumen Efficacy	Input Voltage	Input Current	Input Wattage	Power Factor	Distribution Type	Color Temp	BUG Rating
832.9 Lumens	42.0 LPW	120.05V	166.2mA	19.83W	0.994	Type IV	3000K	B0-U3-G1

POLAR GRAPH



LUMINAIRE CLASSIFICATION SYSTEM (LCS) GRAPH



LCS Summary

Zone	Lumens
Forward Low (0-30)	19.4
Forward Medium (30-60)	96.7
Forward High (60-80)	106.0
Forward Very High (80-90)	58.3
Back Low (0-30)	11.3
Back Medium (30-60)	46.2
Back High (60-80)	50.1
Back Very High (80-90)	28.3
Up Low (90-100)	86.7
Up High (100-180)	329.7