

Liverpool 2

FULL CUT-OFF WALL PACK FAMILY

Low Height Wall Mount

Vandal Resistant LED

We reserve the right to revise the design or components of any product without notice.

CATALOG #		TYPE
PROJECT/LOCATION		
APPROVED BY		

SPECIFICATIONS

- DRIVER — Universal Voltage 120/277V Electronic Driver with 0-10V dimming. Optional: 347V driver
- HOUSING — All aluminum 14-gauge construction, seam welded and ground smooth for watertight seal. Housing sealed at factory and does not require opening for installation. Finished in textured bronze oven baked polyester powder coat as standard.
- MOUNTING PLATE — Die formed 14-gauge aluminum wall mount plate. Mounts to all standard junction boxes. Can also be four-point surface mounted for when surface conduit is required.
- LED MOUNTING PLATE — 14-gauge aluminum, designed to thermally manage LED light engines for long life and performance. Finished sky white polyester powder coat.
- LENS — 1/8" Clear Polycarbonate (83) is standard. Optional: 1/8" K12 Prismatic Polycarbonate (80), 5/32" K12 Prismatic Polycarbonate (81), or 1/8" Frosted Polycarbonate Lens (CFP).
- LENS FASTENERS — 14-gauge die formed aluminum. Secures lens with a watertight seal into housing.
- GASKETING — High temperature, non-aging black EPDM or neoprene rubber applied around the entire lens perimeter and housing plate to provide a watertight seal and protect from environmental contaminants.
- LIGHT ENGINE — High efficacy, long life LED light engines offered in 3000K, 4000K and 5000K.
- EMERGENCY BACKUP — Integral Emergency Battery. Cold Weather Available.
- COMPLIANCE — Built to comply with U.S. and Canadian safety standards. Suitable for Wet Locations. **Made in USA / Buy America Compliant / Buy American Act.**



ORDERING INFO

Series	Style	Distribution	Wattage	CCT	CRI	Voltage	Finish	Options

ORDERING GUIDE:

SERIES

- LV2 = Liverpool 2 Series
- 13-5/32"W x 1 1/4"H x 11-3/8"D

STYLE

- A = Direct (Downlight)
- B = Indirect (Uplight - Indoor Only)

DISTRIBUTION TYPE

- FT = Forward Throw Distribution
- WS = Wide Spread Distribution

WATTAGE

- LED15 = LED 15 Watt (2015 Lumens)
- LED20 = LED 20 Watt (2750 Lumens)
- LED25 = LED 25 Watt (3325 Lumens)
- LED30 = LED 30 Watt (3850 Lumens)
- LED40 = LED 40 Watt (4275 Lumens)

COLOR TEMPERATURE (CCT)

- 3K = ±3000K range LED
- 35K = ±3500K range LED
- 4K = ±4000K range LED
- 5K = ±5000K range LED

COLOR RENDERING INDEX (CRI)

- 80CRI = 80 Color Rendering Index (STANDARD)
- 90CRI = 90 Color Rendering Index (Not Available for 5K)

VOLTAGE

- 347 = 347 Volts
- UNV = Universal Volt (120-277v) Driver

STANDARD FINISH

- BK = Black Finish
- BZ = Bronze Finish - Standard
- PNA = Painted Natural Aluminum
- WH = White Finish

PREMIUM UPCHARGE FINISH

- CC = Custom Color (Visit www.ralcolor.com)
- Provide RAL# or Make-to-Match Color Chip

INHIBITOR FINISH

- +AMW = Anti-Microbial White Finish
- +NAT = Epoxy Coating for Chlorine Environments (LED Boards Only)
- +OFC = Epoxy Coating for Ocean Front Environments (Housing Only)

LENS OPTIONS

- 80 = .125" K12 Prismatic Polycarbonate
- 81 = .156" K12 Prismatic Polycarbonate
- 83 = .125" Clear Polycarbonate (STANDARD)
- CFP = Clear Frosted Polycarbonate Lens Filter

PHOTOCELL OPTION

- 9328 = PhotoCell Button (120/277V)

CONTROL OPTIONS

MANUAL CONTROL (Wall Switch or Control System)

Note: Cannot be used with Sensor Controls below

Note: 0-10V (100-30%) Dimming is Standard

- D7A = 0-10VDC LED Dimming Driver (100-10%)
- D7B = 0-10VDC LED Dimming Driver (100-1%)

OR

Sensor Control (Sensor Integral to Fixture)

Note: Cannot be used with Manual Controls above

Note: See Accessory Options for Required Remote Controller

- OCC = Occupancy Sensing | Motion Sensor Integral²⁰
 - Microwave / Single Feed / 120/277V Only
 - Standby Dim Level Presets: ON/OFF (0%/100%)
- BLD = Bi-Level Dimming | Motion Sensor Integral²⁰
 - Microwave / Single Feed / 120/277V Only
 - Standby Dim Level Presets:
 - 10% / 20% / 30% (Standard) / 50%
- BLDA = Bi-Level Dimming | Motion Sensor Integral²⁰
 - Ambient Light Sensing Feature (AMB)
 - Microwave / Single Feed / 120/277V Only
 - Standby Dim Level Presets:
 - 10% / 20% / 30% (Standard) / 50%
 - Bi-Level Control Initiated at AMB Light Level Preset

MISC OPTIONS

- FUS = Single Fusing
- DFUS = Double Fusing
- TP = Tamperproof Screws

EMERGENCY BATTERY OPTIONS^{50 55}

Meets California Energy Commission Title 20:
(CEC-400-2014-009-CMF) Efficiency Standards

- EL8W = Integral LED 8 Watt
- EL10W = Integral LED 10 Watt
- EL16W = Integral LED 16 Watt

- REL8W = Remote LED 8 Watt
- REL10W = Remote LED 10 Watt
- REL16W = Remote LED 16 Watt

Cold Weather Emergency Batteries:

Operating Temp: -20°C thru 50°C / NON-CEC Compliant

- EL10W-CW = Integral LED 10 Watt (Cold Weather)
- REL10W-CW = Remote LED 10 Watt (Cold Weather)

ACCESSORY OPTIONS (order as a separate line)

- REMT0019 = Remote Controller for Sensor Options

NOTES:

- ²⁰ Max mounting height of fixture is 18' (18 feet)
- ⁵⁰ Max WHIP length of the REL is 8 feet.
- ⁵⁵ Final selection of the Battery Pack under discretion of Factory



Liverpool 2

FULL CUT-OFF WALL PACK FAMILY

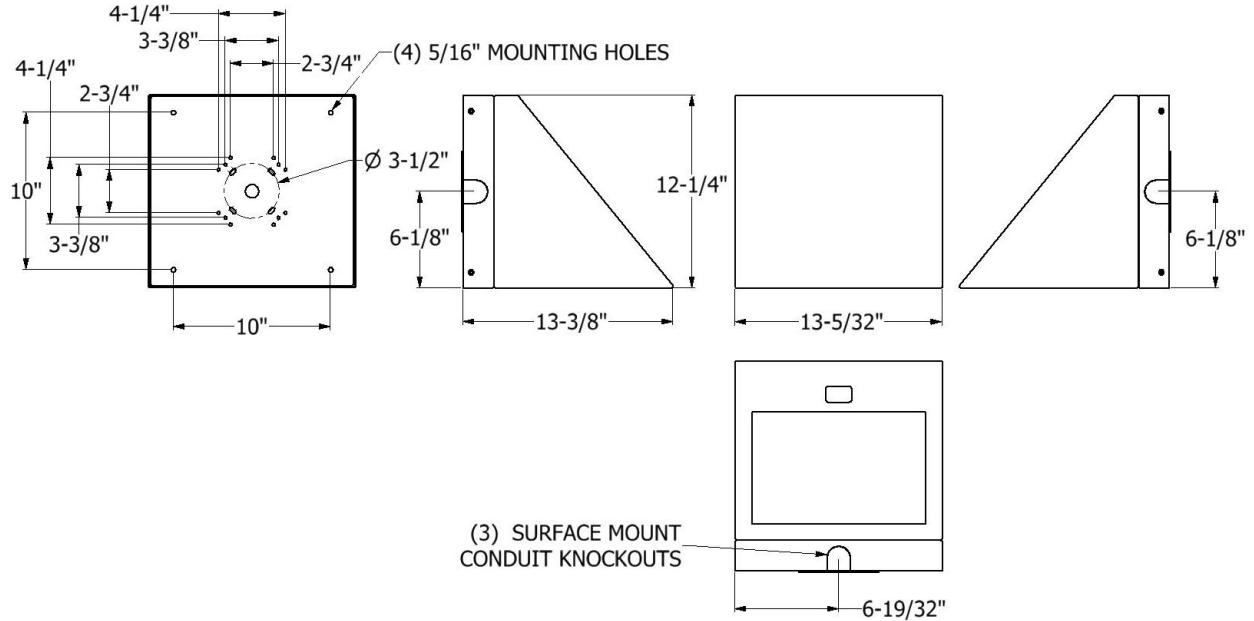
Low Height Wall Mount

Vandal Resistant LED

We reserve the right to revise the design or components of any product without notice.

CATALOG #		TYPE
PROJECT/LOCATION		
APPROVED BY		

DIMENSIONS



PHOTOMETRIC PERFORMANCE DATA

MODEL NUMBER	LUMENS	LPW	WATTAGE	BUG RATING
LV2-A-WS-LED15-3K-80CRI-UNV-83	2,514.6 Lumens	165.4 LPW	15.2W	B1-U1-G1
LV2-A-FT-LED20-3K-80CRI-UNV-83	1,539.1 Lumens	74.0 LPW	20.8W	B1-U0-G0
LV2-A-FT-LED20-35K-80CRI-UNV-83	1,606.2 Lumens	77.2 LPW	20.8W	B1-U0-G0
LV2-A-FT-LED20-4K-80CRI-UNV-83	1,672.0 Lumens	80.4 LPW	20.8W	B1-U0-G0
LV2-A-FT-LED20-5K-80CRI-UNV-83	1,664.1 Lumens	80.0 LPW	20.8W	B1-U0-G0
LV2-A-WS-LED25-3K-80CRI-UNV-83	3,052.6 Lumens	122.1 LPW	25.0W	B1-U1-G1
LV2-A-FT-LED25-3K-80CRI-UNV-83	2,084.2 Lumens	82.7 LPW	25.2W	B1-U0-G0
LV2-A-FT-LED25-35K-80CRI-UNV-83	2,174.2 Lumens	86.3 LPW	25.2W	B1-U0-G0
LV2-A-FT-LED25-4K-80CRI-UNV-83	2,264.2 Lumens	89.8 LPW	25.2W	B1-U0-G0
LV2-A-FT-LED25-5K-80CRI-UNV-83	2,253.1 Lumens	89.4 LPW	25.2W	B1-U0-G0
LV2-A-FT-LED30-3K-80CRI-UNV-83	2,629.2 Lumens	85.9 LPW	30.6W	B1-U0-G0
LV2-A-FT-LED30-35K-80CRI-UNV-83	2,743.3 Lumens	89.7 LPW	30.6W	B1-U0-G1
LV2-A-FT-LED30-4K-80CRI-UNV-83	2,857.4 Lumens	93.4 LPW	30.6W	B1-U0-G1
LV2-A-FT-LED30-5K-80CRI-UNV-83	2,843.2 Lumens	92.9 LPW	30.6W	B1-U0-G1
LV2-A-WS-LED40-3K-80CRI-UNV-83	4,276.0 Lumens	109.4 LPW	39.1W	B2-U1-G1
LV2-A-FT-LED40-3K-80CRI-UNV-83	3,205.3 Lumens	85.7 LPW	37.4W	B1-U0-G1
LV2-A-FT-LED40-35K-80CRI-UNV-83	3,344.4 Lumens	89.4 LPW	37.4W	B1-U0-G1
LV2-A-FT-LED40-4K-80CRI-UNV-83	3,483.6 Lumens	93.1 LPW	37.4W	B2-U3-G2
LV2-A-FT-LED40-5K-80CRI-UNV-83	3,466.2 Lumens	92.7 LPW	37.4W	B2-U0-G1

Liverpool 2

FULL CUT-OFF WALL PACK FAMILY

Low Height Wall Mount

Vandal Resistant LED

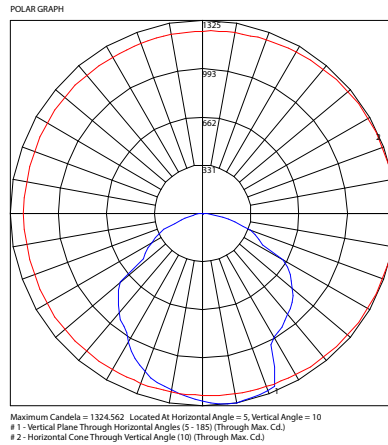
We reserve the right to revise the design or components of any product without notice.

CATALOG #		TYPE
PROJECT/LOCATION		
APPROVED BY		

PHOTOMETRIC GRAPH DATA

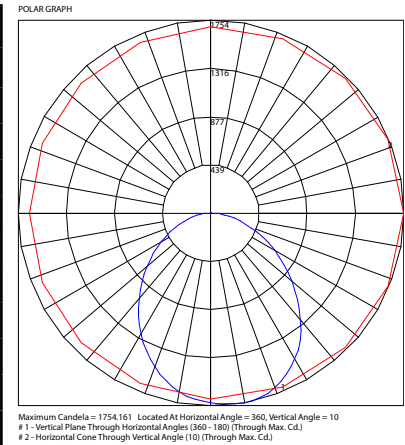
Summary of Results LV2-A-FT-LED40-3K-80CRI-UNV-83					
Lumen Output	Efficacy	Input Power	CCT	Distribution	BUG Rating
3,205.3 Lumens	85.7 Lm/W	37.4W	3000K	Forward Throw	B1-U0-G1

LCS Summary	
Zone	Lumens
Forward Low (0-30)	509.9
Forward Medium (30-60)	891.0
Forward High (60-80)	282.0
Forward Very High (80-90)	11.9
Back Low (0-30)	477.2
Back Medium (30-60)	819.5
Back High (60-80)	206.7
Back Very High (80-90)	7.1
Up Low (90-100)	0.0
Up High (100-180)	0.0



Summary of Results LV2-A-WS-LED40-3K-80CRI-UNV-83					
Lumen Output	Efficacy	Input Power	CCT	Distribution	BUG Rating
4,276.0 Lumens	109.4 Lm/W	39.1W	3000K	Widespread	B2-U1-G1

LCS Summary	
Zone	Lumens
Forward Low (0-30)	679.0
Forward Medium (30-60)	1148.9
Forward High (60-80)	369.7
Forward Very High (80-90)	36.2
Back Low (0-30)	636.5
Back Medium (30-60)	1028.0
Back High (60-80)	337.5
Back Very High (80-90)	39.4
Up Low (90-100)	0.0
Up High (100-180)	0.0



REPORTED LUMEN MAINTENANCE

Data references the extrapolated/reported projections for the Liverpool 2 in a 40°C ambient, based on 17,000 hours of LED testing (tested per IESNA LM-80-08 and projected IESNA TM-21-11).

To calculate LLF, use the lumen maintenance factor that corresponds to the desired number of operating hours below. For other lumen maintenance values, LM80 or TM-21 reports, contact factory.

Operating Hours	0	25,000	50,000	75,000	100,000
Lumen Maintenance Factor	1	0.95	0.90	0.86	0.81