

We reserve the right to revise the design or components of any product without notice.

Munich Amber LED

FULL CUT-OFF WALL PACK FAMILY

Turtle Friendly Amber LED / Baffle Shield

CATALOG #		TYPE
PROJECT/LOCATION		
APPROVED BY		

SPECIFICATIONS

- DRIVER — Universal Voltage 120/277v Electronic Driver with 0-10V dimming is standard.
- EMERGENCY — Integral Emergency Battery Options available.
- GASKETING — High temperature, non-aging black EPDM and/or neoprene rubber concealed in housing pocket and enclosed by cast-in drip shield and rear wire entrance hole to protect against outside contaminants.
- HOUSING — Heavy wall cast aluminum with wire access on back through threaded 1/2" conduit size entrance holes - Standard Finish in Bronze oven baked Polyester Powder Coat.
- LIGHT ENGINE — Energy Efficient Light Emitting Diode Amber LED.
- COMPLIANCE — Built to comply with U.S. and Canadian Safety Standards. CSA Listed for Wet Locations, ANSI/UL 1598, 8750, IP65 Rated. Turtle Safe & Florida Wildlife Certification compliant with Baffle Shield Option. Complies with Buy American Act.
- WARRANTY — 5-Year Limited Warranty.



ORDERING INFO

Series	Size	Distribution	Wattage	CCT	Voltage	Lens	Finish	Options

SERIES

MU-Q-AMB = Munich Amber LED Series

SIZE

- S = Small
- M = Medium

DISTRIBUTION

WS = Wide Spread Distribution (Type V)

WATTAGE

LED22 = LED 22 Watt (Small Only)
LED37 = LED 37 Watt (Medium Only)

COLOR TEMPERATURE (CCT)

AMB = Amber (585-595nm)

VOLTAGE

UNV = Universal Volt (120-277v) Driver

LENS

CFG = Clear Tempered Flat Glass

STANDARD FINISH

BZ = Bronze

PREMIUM UPCHARGE FINISH®

BK = Black
SGR = Silver Grey
WH = White

PHOTOCELL OPTIONS

9328 = Photocell Button (120/277V)

MISC OPTIONS

BF = Baffle Shield (Required for Florida Wildlife Certification)
FUS = Single Fusing
DFUS = Double Fusing

EMERGENCY BATTERY OPTIONS

EL10W = 10 Watt Battery Backup
— 90 Minute Battery Time
EL10W-CW = 10 Watt Battery Backup - Cold Weather
— 90 Minute Battery Time
— Operating Temp: -20°C to 50°C

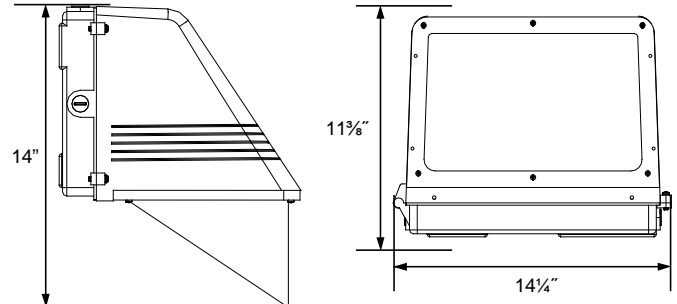
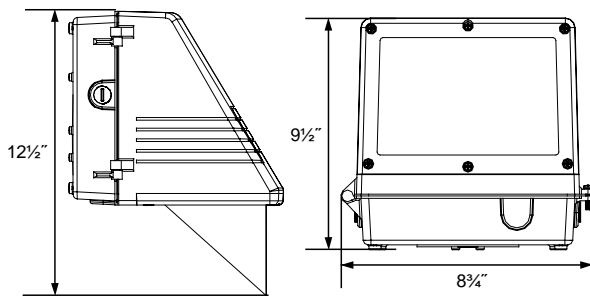
NOTES:

③ Minimum Order Quantity of (5) pieces required - Subject to Setup Fee

DIMENSIONS

Small

Medium



Munich Amber LED

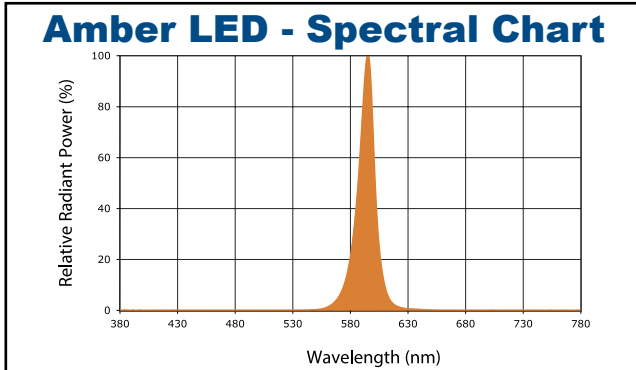
FULL CUT-OFF WALL PACK FAMILY

Turtle Friendly Amber LED / Baffle Shield

We reserve the right to revise the design or components of any product without notice.

CATALOG #		TYPE
PROJECT/LOCATION		
APPROVED BY		

SPECTRAL CHART



PHOTOMETRIC PERFORMANCE

Led Wattage	Drive Current (mA)	Input Watts	Optics	Lumens	LPW
Amber LED 22W	525	25	Type V	794	32
Amber LED 37W	525	40	Type V	1,279	32

PROJECTED LUMEN MAINTENANCE

TM-21-11 ¹	Input Watts	Initial	25,000 Hrs ²	50,000 Hrs	100,000 Hrs	Calculated L70@ 25°C
L70 Lumen Maintenance @ 25°C / 77°F	25	1.00	0.96	0.92	0.85	196,000
L70 Lumen Maintenance @ 50°C / 122°F	25	1.00	0.93	0.86	0.73	110,000
L70 Lumen Maintenance @ 40°C / 104°F	25	1.00	0.94	0.88	0.76	84,000
L70 Lumen Maintenance @ 25°C / 77°F	40	1.00	0.96	0.93	0.86	213,000
L70 Lumen Maintenance @ 50°C / 122°F	40	1.00	0.93	0.87	0.73	113,000
L70 Lumen Maintenance @ 40°C / 104°F	40	1.00	0.95	0.89	0.78	91,000

NOTES:

- 1 Projected per IESNA TM-21. Data references the extrapolated performance projections for the 525mA base model in a 25°C ambient, based on 10,000 hours of LED testing per IESNA LM-80-08.
- 2 Indicates suggested Light Loss Factor (LLF) to be used when comparing to Metal Halide (MH) systems.