

Troy-E

Cylinder Family - Medium Base Sockets Wall Mount / Ceiling Mount / Pendant Mount Outdoor / Indoor Applications

We reserve the right to revise the design or components of any product without notice.

CATALOG #		TYPE
PROJECT/LOCATION		
APPROVED BY		

SPECIFICATIONS

- HOUSING — Heavy gauge aluminum cylinder.
- FINISH — Powder Coat Finish applied over pre-treated surfaces.
- LAMP SOCKETS — Medium Base Sockets (E26) - Lamps by Others.
10" Tall is Downlight Only. Max Lamp size is PAR30 (BR30, PAR30L, PAR38 are Not Compatible).
- LENS — Top (1/8" Clear Tempered Lens) / Bottom is Open (No Lens).
- MOUNTING — Wall Arm Mount, Surface Ceiling Mount, Pendant Mount, Pendant Aircraft Cable.
- REFLECTOR — .032 Specular Aluminum Standard.
- VOLTAGE — 120 Volt.
- COMPLIANCE — Built to comply with U.S. and Canadian Safety Standards. **Made in USA / Buy America Compliant / Buy American Act.**



Wall Mount (WM)



Pendant Aircraft Cable (PEND-ACR)



Pendant Stem Mount (PEND)



ORDERING INFO

Series	Size	Style	Lamping	Voltage	Finish	Options

ORDERING GUIDE:

SERIES

TY-E = Troy-E Series

SIZE

- 10 = 10" Tall (7" dia.) - Down Light ONLY
- 16 = 16½" Tall (7" dia.)
- 20 = 20" Tall (7" dia.)
- 26 = 26" Tall (7" dia.)

STYLE (MOUNTING)

- WM = Wall Mount (requires ARM Option)
- CM = Surface Ceiling Mount - Down Light Only
- PEND = Pendant Mount (24" Stem)
 - For Custom Stem Specify Length
 - Includes Canopy Swivel Kit (45°)
- PEND-ACR = Pendant Mount - Aircraft Cable

LAMPING

- (1)MBS = One Medium Base Socket (E26) - Lamps by OTHERS
 - For Single Light Output (Downlight)
 - Compatible: A19 / PAR20 / PAR30 / Smart Bulb
 - NON-Compatible: BR30 / PAR30L / PAR38
- (2)MBS = Two Medium Base Sockets (E26) - Lamps by OTHERS
 - For Dual Light Output (Uplight and Downlight)
 - Compatible: A19 / PAR20 / PAR30 / Smart Bulb
 - NON-Compatible: BR30 / PAR30L / PAR38

VOLTAGE

120V = 120 Volt

STANDARD FINISH

- BK = Black
- BZ = Bronze
- PNA = Painted Natural Aluminum
- WH = White

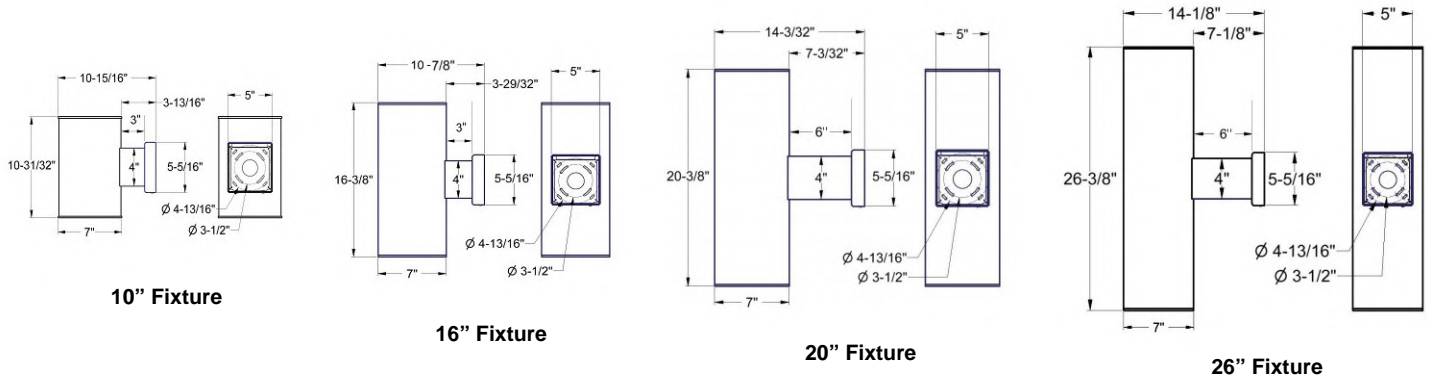
PREMIUM UPCHARGE FINISH

- CC = Custom Color (Visit www.ralcolor.com)
 - Provide RAL# or Make-to-Match Color Chip

OPTIONS

- ARM3 = Extended Arm - Required with Wall Mount
 - 3" Length (10" and 16" Fixtures)
- ARM6 = Extended Arm - Required with Wall Mount
 - 6" Length (20" and 26" Fixtures)
- OTB = Open Top / Bottom (Indoor Only)
 - Wall Mount or Pendant Aircraft Cable Only

DIMENSIONS



Troy-E

Cylinder Family - Medium Base Sockets
Wall Mount / Ceiling Mount / Pendant Mount
Outdoor / Indoor Applications

We reserve the right to revise the design or components of any product without notice.

CATALOG #		TYPE
PROJECT/LOCATION		
APPROVED BY		

LAMPING COMPATIBILITY



A19



A19 Smart Bulb

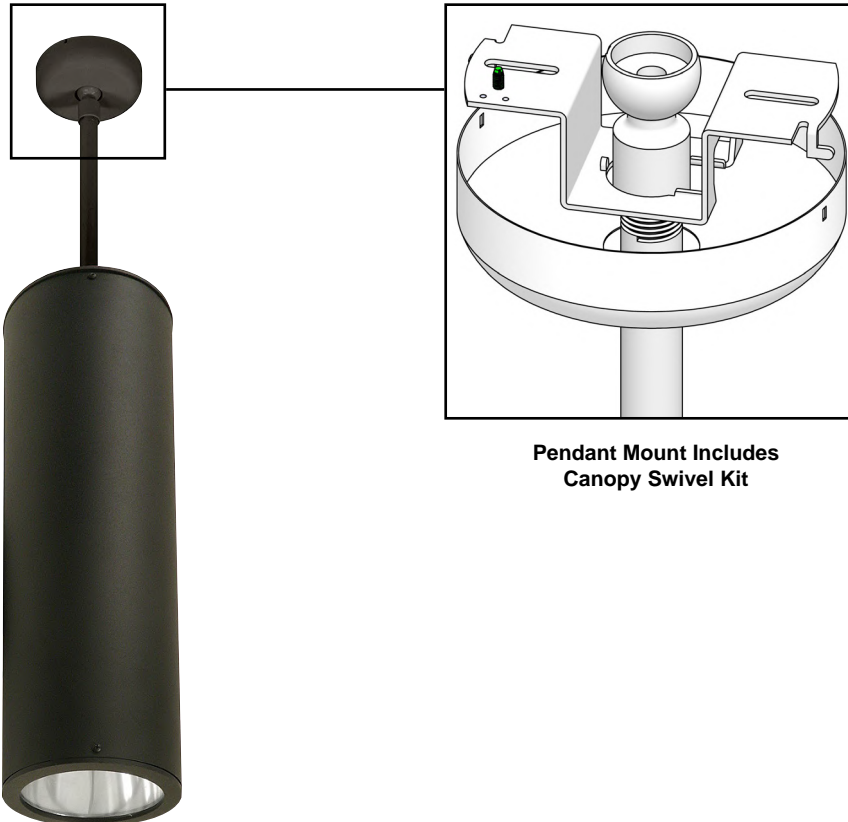


PAR20



PAR30

PENDANT CANOPY SWIVEL KIT



Pendant Mount Includes
Canopy Swivel Kit