

GAEL RECTANGULAR

High Abuse Rectangular Wall Sconce

Selectable Wattage / CCT or Static Wattage and Static CCT w/EM Option

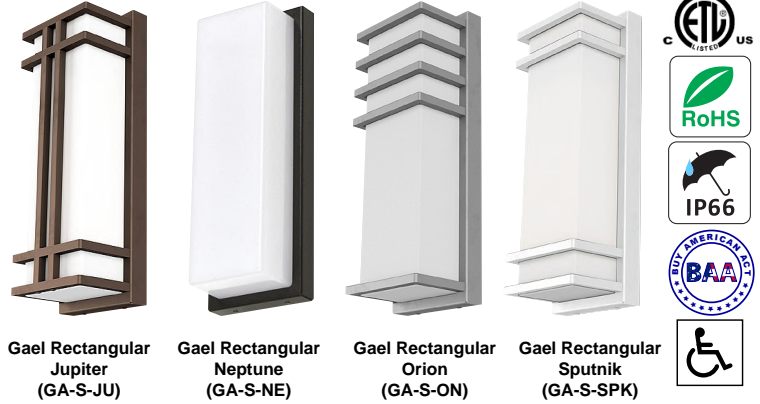
ADA Compliant / IP66 Wet Location

We reserve the right to revise the design or components of any product without notice.

CATALOG #		TYPE
PROJECT/LOCATION		
APPROVED BY		

SPECIFICATIONS

- DRIVER — Universal Voltage 120/277V Electronic Driver.
- FINISH — Corrosion Resistant Polyester Powder Coated Finish.
- HOUSING — Die Cast Aluminum Housing.
- LENS — Anti-Yellowing and High Transmission Polycarbonate Diffuser.
- LIGHT ENGINE — Energy Efficient LED Light Engines.
- LED LIFETIME — ≥50,000hrs.
- MOUNTING — Mounts to standard 3" and 4" recessed junction boxes via mounting strap. Can also be 4-point mounted via supplied mounting screws.
- OPERATING AMBIENT TEMPERATURE — -20°C to +40°C (-4°F to 122°F)
- COMPLIANCE — Built to comply with U.S. and Canadian safety standards. ETL, RoHS, ADA, Buy American Act (BAA) Compliant. IP66 Rated, suitable for wet location.
- WARRANTY — 5-Year Limited Warranty.



ORDERING INFO - SELECTABLE WATTAGE/CCT SERIES

Series	Wattage	CCT	Voltage	Finish	Options
ORDERING GUIDE:	SLED	SCCT	UNV		

SERIES

GA-S-JU = Gael Rectangular Jupiter Series
GA-S-NE = Gael Rectangular Neptune Series
GA-S-ON = Gael Rectangular Orion Series
GA-S-SPK = Gael Rectangular Sputnik Series

WATTAGE

Refer to Below Chart for Wattage / Lumen Output
SLED = *Selectable LED Wattages: 18W | 20W | 22W

COLOR TEMPERATURE

SCCT = *Selectable CCT: 3000K | 4000K | 5000K

**Note: Fixtures will ship from factory at lowest wattage and warmest CCT. It is the installer's responsibility to set the fixture at the desired wattage and CCT for their project.*

VOLTAGE

UNV = Universal Volt (120-277v) Electronic Driver — Non-Dimmable

STANDARD FINISH

BK = Black Finish
BZ = Bronze Finish
PNA = Painted Natural Aluminum Finish
TW = Textured White Finish

PREMIUM UPCHARGE FINISH

CC = Custom Color (Visit www.ralcolor.com)
 — Provide RAL# or Make-to-Match Color Chip

PHOTOCELL OPTION

Note: Cannot be used with Sensor Option below
PHOT = Photocell

OR

SENSOR OPTION (Sensor Integral to Fixture)

Note: Cannot be used with Photocell Option above
OCC = Occupancy Sensing | Motion Sensor Integral
 — Operational at 18 Watt Only

MISC OPTIONS

ST = Solid Top (No Direct Uplight)
TP = Torx Tamperproof Screws

ACCESSORY OPTIONS (order as a separate line)

9008 = T8 Torx Security Bit for Screwdriver

Low Power	Medium Power	High Power
18 Watt (2160 Lumens)	20 Watt (2400 Lumens)	22 Watt (2640 Lumens)

ORDERING INFO - STATIC WATTAGE/CCT SERIES

Series	Wattage	CCT	Voltage	Finish	Options
ORDERING GUIDE:			UNV		

SERIES

GA-S-JU = Gael Rectangular Jupiter Series
GA-S-NE = Gael Rectangular Neptune Series
GA-S-ON = Gael Rectangular Orion Series
GA-S-SPK = Gael Rectangular Sputnik Series

WATTAGE

LED10 = 10 Watt LED
LED15 = 15 Watt LED

COLOR TEMPERATURE

3K = ±3000K range LED
35K = ±3500K range LED
4K = ±4000K range LED
5K = ±5000K range LED

VOLTAGE

UNV = Universal Volt (120-277v) Electronic Driver
 — 0-10V Dimming (100-10%) is Standard

STANDARD FINISH

BK = Black Finish
BZ = Bronze Finish
PNA = Painted Natural Aluminum Finish
TW = Textured White Finish

PREMIUM UPCHARGE FINISH

CC = Custom Color (Visit www.ralcolor.com)
 — Provide RAL# or Make-to-Match Color Chip

PHOTOCELL OPTION

PHOT = Photocell²

SENSOR OPTION (Sensor Integral to Fixture)

OCC = Occupancy Sensing | Motion Sensor Integral²

MISC OPTIONS

ST = Solid Top (No Direct Uplight)
TP = Torx Tamperproof Screws

BACK BOX OPTION

BBL = 14"H x 5"W x 1.5"D Back Box (For Surface Conduit)

EMERGENCY BATTERY OPTIONS

Meets California Energy Commission Title 20:
(CEC-400-2014-009-CMF) Efficiency Standards
EL10W = Integral LED 10 Watt²

Cold Weather Emergency Batteries:

Operating Temp: -20°C thru 50°C / *NON-CEC Compliant*
EL10W-CW = Integral LED 10 Watt (Cold Weather)²

ACCESSORY OPTIONS (order as a separate line)

9008 = T8 Torx Security Bit for Screwdriver

NOTES:

² Backbox (BB) Required.

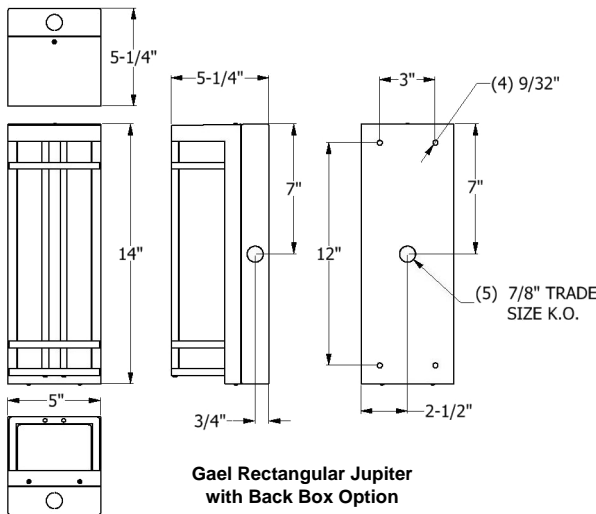
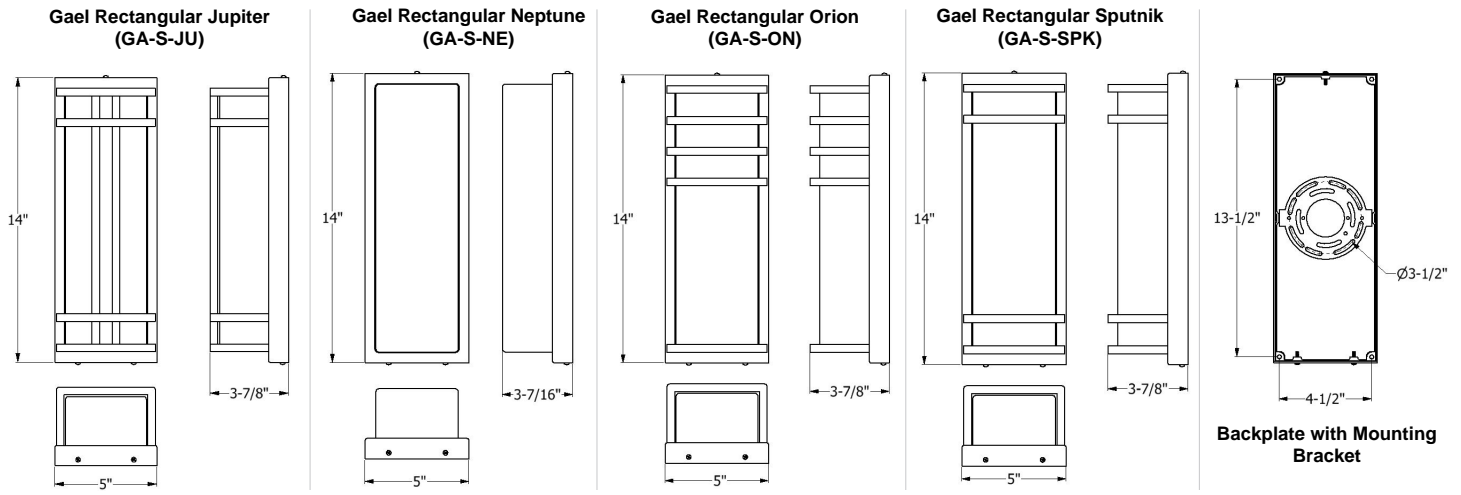
GAEL RECTANGULAR

High Abuse Rectangular Wall Sconce
Selectable Wattage / CCT or
Static Wattage and Static CCT w/EM Option
ADA Compliant / IP66 Wet Location

We reserve the right to revise the design or components of any product without notice.

CATALOG #		TYPE
PROJECT/LOCATION		
APPROVED BY		

DIMENSIONS / OPTIONS



Gael Rectangular Jupiter with Back Box Option

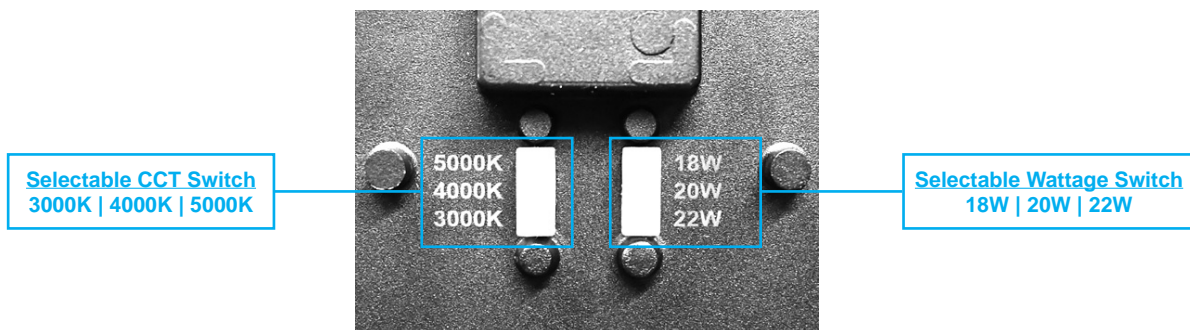


Shown with Optional Back Box



Solid Top (ST)
No Direct Uplight

SELECTABLE WATTAGE / CCT



Selectable Wattage / CCT Switches
Located on Back of Fixture