

RM2424S

Recessed Plaster Ceiling -or- Lay-in T-Bar Grid
Energy Efficient / High Performance LED
Shallow Housing / Leveler Design / NON-IC

We reserve the right to revise the design or components of any product without notice.

CATALOG #		TYPE
PROJECT/LOCATION		
APPROVED BY		

SPECIFICATIONS

- **MINIMUM ORDER QUANTITY** — 25pcs MOQ
- **DRIVER** — Universal Volt 120/277V with 0-10V dimming standard. Optional dimming ranges, 10% or 1%, under Dimming Options.
- **FINISH** — Oven baked Polyester Powder Coat White Finish is Standard. Optional Natorium Finish is available for harsh conditions including: chlorine, salt, exhaust fumes.
- **GASKETING** — High temperature, non-aging black EPDM and/or neoprene rubber concealed in housing pocket.
- **HOUSING** — 14-gauge aluminum, die formed and riveted construction. One 7/8" trade size knockout provided on top for line side entry. Four winged leveler mounts mechanically attached to housing.
- **LENS** — 5/32" (0.156") thick prismatic polycarbonate lensing standard.
- **LENS FASTENERS** — Stainless steel tamperproof screws secure doorframe to housing.
- **LIGHT ENGINE** — Energy Efficient Super Bright Light Emitting Diode.
- **MOUNTING** — Mounts into a 22 3/8" x 20%" ceiling cutout. Torquing leveler design pulls luminaire flush to level ceiling surface.
- **COMPLIANCE** — Built to comply with U.S. and Canadian Safety Standards. Damp location rated, wet location optional, covered ceilings only. For use in NON-insulated ceilings only. **Made in USA / Buy America Compliant / Buy American Act.**



ORDERING INFO

Series	Mounting	Wattage	CCT	Voltage	Finish	Options
ORDERING GUIDE:						

SERIES

NOTE: RM2424S Requires MoQ = 25pcs
RM2424S = RM2424 Shallow Recessed Mount Series

MOUNTING

- G = Grid T-Bar Ceiling
- P = Plaster Ceiling

WATTAGE

- LED40 = 40 Watt LED
- LED60 = 60 Watt LED
- LED75 = 75 Watt LED
- LED90 = 90 Watt LED
- LED105 = 105 Watt LED

COLOR TEMPERATURE (CCT)

- 3K = ±3000K range
- 35K = ±3500K range
- 4K = ±4000K range
- 5K = ±5000K range

VOLTAGE

- 347 = 347 Volt
- UNV = Universal Voltage (120/277V) Driver

STANDARD FINISH

- BK = Black Finish
- BZ = Bronze Finish
- PNA = PNA Finish
- WH = White Finish

PREMIUM UPCHARGE FINISH

- CC = Custom Color (Visit www.ralcolor.com)
 — Provide RAL# or Make-to-Match Color Chip
- +NAT = Epoxy Coating for Natorium
 — Includes Conformal Coating of LEDs

LENS OPTIONS²⁰

- #81 = .156" K12 Prismatic Polycarbonate (Standard)
- #85 = .156" Clear Tempered Glass
- #86 = .250" Clear Polycarbonate
- #92 = .187" Clear Polycarbonate
- #98 = .118" Frosted Polycarb. / Glare Control

CONTROL OPTIONS (Choose from Manual or Sensor)

MANUAL CONTROL (Wall Switch or Control System)

Note: Cannot be used with Sensor Controls below

- Note: 0-10V (100-30%) Dimming is Standard**
- D7A = 0-10VDC LED Dimming Driver (100-10%)
- D7B = 0-10VDC LED Dimming Driver (100-1%)
- BLS = Bi-Level Switching (Includes Two Drivers)

OR

Sensor Control (Sensor Integral to Fixture)²⁰

Note: Cannot be used with Manual Controls above

- OCC = Occupancy Sensing | Motion Sensor Integral
 — Microwave / Single Feed / 120/277V Only
 — Standby Dim Level Presets: ON/OFF (0%/100%)
- BLD = Bi-Level Dimming | Motion Sensor Integral
 — Microwave / Single Feed / 120/277V Only
 — Standby Dim Level Presets:
 10% / 20% / 30% (Standard) / 50%

MISC OPTIONS

- WET = Wet Location Rated

EMERGENCY BATTERY OPTIONS

Meets California Energy Commission Title 20:
 (CEC-400-2014-009-CMF) Efficiency Standards

- REL8W = Remote LED 8 Watt
- REL16W = Remote LED 16 Watt

Cold Weather Emergency Batteries:

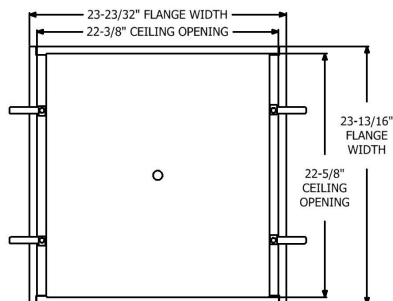
Operating Temp: -20°C thru 50°C / NON-CEC Compliant

- REL10W-CW = Remote LED 10 Watt (Cold Weather)

NOTES:

- ²⁰ Max mounting height of fixture is 18' (18 feet)
- ²¹ Up to two (2) lens choices may be made with a maximum combined thickness of 0.438" (7/16").

DIMENSIONS



RM2424S

*Recessed Plaster Ceiling -or- Lay-in T-Bar Grid
Energy Efficient / High Performance LED
Shallow Housing / Leveler Design / NON-IC*

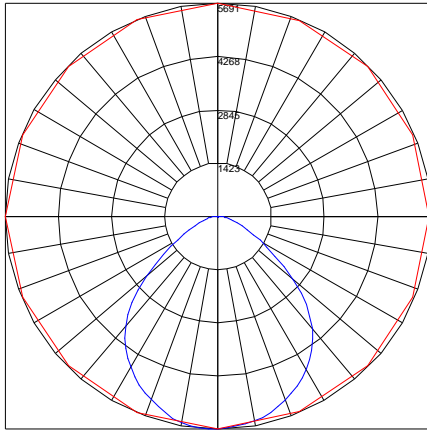
We reserve the right to revise the design or components of any product without notice.

CATALOG #		TYPE
PROJECT/LOCATION		
APPROVED BY		

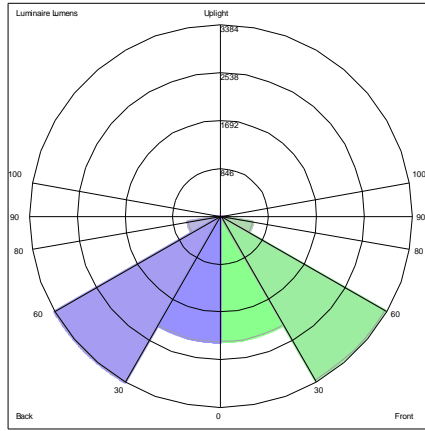
PHOTOMETRIC DATA

Test #: 104574085CHI-003 Test Catalogue #: RM2424S-LED130-5K-UNV-WH Test Date: 9/22/2021								
Lamp Output	Lumen Efficacy	Input Voltage	Input Current	Input Wattage	Power Factor	Distribution Type	Color Temp	BUG Rating
12,458 Lumens	99.8 LPW	120.2V	1044.8A	124.8W	0.995	Type V - Short	5000K	B3-U0-G1

POLAR GRPH



LUMINAIRE CLASSIFICATION SYSTEMS (LCS) GRPH



LCS Summary

Zone	Lumens
Forward Low (0-30)	2214.9
Forward Medium (30-60)	3339.0
Forward High (60-80)	569.0
Forward Very High (80-90)	68.7
Back Low (0-30)	2221.4
Back Medium (30-60)	3383.5
Back High (60-80)	586.8
Back Very High (80-90)	74.5
Up Low (90-100)	0.0
Up High (100-180)	0.0