

RM831 - RM833

Vandal Resistant Fixture

Recessed Ceiling LED

Not for Use in Insulated Ceilings

We reserve the right to revise the design or components of any product without notice.

CATALOG #		TYPE
PROJECT/LOCATION		
APPROVED BY		

SPECIFICATIONS

- DRIVER — Universal Voltage 120/277V Electronic Driver with 0-10V dimming is standard.
- EMERGENCY — Remote or Integral Emergency Battery (LED).
- GASKETING — High temp., non-aging black EPDM and/or neoprene rubber concealed in housing pocket & enclosed by cast-in drip shield & rear wire entrance hole to protect against outside contaminants.
- HOUSING — Heavy wall cast aluminum with wire access on four sides and back through threaded 1/2" conduit size entrance holes. Bronze oven baked Polyester Powder Coat.
- LIGHT ENGINE — Energy Efficient Light Emitting Diode (LED).
- LENS — Drop Square Prismatic (Standard on RM831) or .156" thick K12 Prismatic Polycarbonate (Standard on RM833).
- LENS FASTENERS — Stainless steel tamperproof screws (4) to secure lens in place.
- MOUNTING HOLES — 4-Point Mount: (4) 5/16" Diameter Holes For 1/4" Diameter Rods.
- REFLECTOR — .032 textured aluminum for high efficiency and reduce arc tube voltage rise.
- COMPLIANCE — Built to comply with U.S. and Canadian safety standards. Suitable for wet locations. **Made in USA / Buy America Compliant / Buy American Act.**



RM831 Series



RM833 Series



ORDERING INFO

Series	Wattage	CCT	CRI	Voltage	Finish	Options
ORDERING GUIDE:						

SERIES

- RM831 = RM831 - Recessed Drop Square Lens
- RM833 = RM833 - Recessed Flat Lens

WATTAGE

- Lumen Efficacy: 150 Lumens Per Watt (Nominal)
- LED25 = 25 Watt LED
- LED36 = 36 Watt LED
- LED40 = 40 Watt LED
- LED50 = 50 Watt LED

COLOR TEMPERATURE (CCT)

- 3K = ±3000K range LED
- 35K = ±3500K range LED
- 4K = ±4000K range LED
- 5K = ±5000K range LED

COLOR RENDERING INDEX (CRI)

- 80CRI = 80 Color Rendering Index - STANDARD
- 90CRI = 90 Color Rendering Index
— Not Available for 5K

VOLTAGE

- 347 = 347 Volts
- UNV = Universal Volt (120-277v) Driver

STANDARD FINISH

- BK = Black Finish
- BZ = Bronze Finish (STANDARD)
- PNA = Painted Natural Aluminum
- WH = White Finish

PREMIUM UPCHARGE FINISH

- CC = Custom Color (Visit www.ralcolor.com)

LENS OPTIONS

- DS = Drop Square Lens (RM831 Only) - STANDARD
- DP = Premium Drop Pyramidal Lens (RM831 Only) - MOQ = 25pcs
- 81 = .156" K12 Prismatic Polycarbonate (RM833 Only) - STANDARD
- 92 = .187" Clear Polycarbonate (RM833 Only)
- OPL = Opal Flat Lens (RM833 Only)

CONTROL OPTIONS (Choose from Manual or Sensor)

MANUAL CONTROL (Wall Switch or Control System)

Note: Cannot be used with Sensor Controls below

Note: 0-10V (100-30%) Dimming is Standard

- D7A = 0-10VDC LED Dimming Driver (100-10%)
- D7B = 0-10VDC LED Dimming Driver (100-1%)

- BLS = Bi-Level Switching — Using 2 Drivers (2UNV)

OR

Sensor Control (Sensor Integral to Fixture)

Note: Cannot be used with Manual Controls above

Note: See Accessory Options for Required Remote Controller

- OCC = Occupancy Sensing | Motion Sensor Integral²⁰
— Microwave / Single Feed / 120/277V Only
— Standby Dim Level Presets: ON/OFF (0%/100%)

- BLD = Bi-Level Dimming | Motion Sensor Integral²⁰
— Microwave / Single Feed / 120/277V Only
— Standby Dim Level Presets:
10% / 20% / 30% (Standard) / 50%

MISC OPTIONS

- FUS = Single Fusing
- DFUS = Double Fusing

EMERGENCY BATTERY OPTIONS ^{50 55}

Meets California Energy Commission Title 20: (CEC-400-2014-009-CMF) Efficiency Standards

- EL8W = Integral LED 8 Watt
- EL10W = Integral LED 10 Watt
- EL16W = Integral LED 16 Watt

- REL8W = Remote LED 8 Watt
- REL10W = Remote LED 10 Watt
- REL16W = Remote LED 16 Watt

Cold Weather Emergency Batteries:

Operating Temp: -20°C thru 50°C / NON-CEC Compliant

- EL10W-CW = Integral LED 10 Watt (Cold Weather)
- REL10W-CW = Remote LED 10 Watt (Cold Weather)

ACCESSORY OPTIONS (order as a separate line)

- 9002 = Tamperproof Screwdriver
- REMT0009 = Remote Controller for Sensor Options

NOTES:

- ²⁰ Max mounting height of fixture with Motion Sensor is 18' feet.
- ⁵⁰ Max WHIP length provided for the REL is 8 feet.
- ⁵⁵ Due to form and fit, final selection of the Battery Pack under discretion of Factory.

RM831 - RM833

Vandal Resistant Fixture

Recessed Ceiling LED

Not for Use in Insulated Ceilings

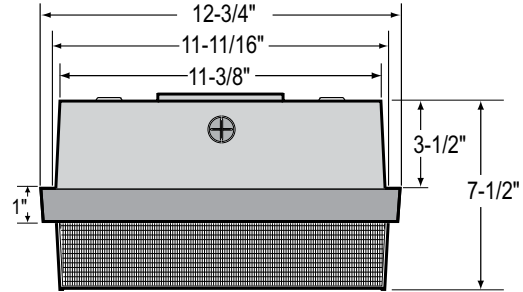
We reserve the right to revise the design or components of any product without notice.

CATALOG #		TYPE
PROJECT/LOCATION		
APPROVED BY		

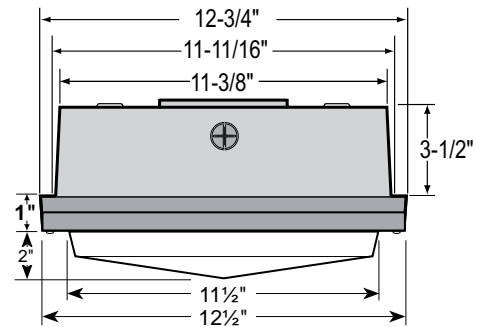
DIMENSIONS



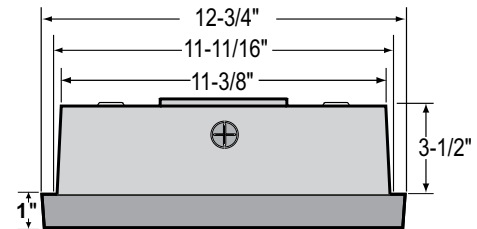
RM831 Series - Drop Square Lens
(Standard)



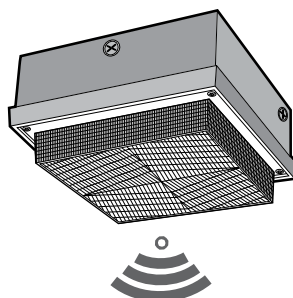
RM831 Series - Drop Pyramidal Lens
(Optional)



RM833 Series



OPTIONS



Wireless Remote Control (REMT0009)
For Use with Motion Sensor Options