

Lewis

Indoor/Outdoor Drum Fixture Ceiling or Wall Family—Wet Location

We reserve the right to revise the design or components of any product without notice.

CATALOG #		TYPE
PROJECT/LOCATION		
APPROVED BY		

SPECIFICATIONS

- HOUSING — Injection molded ABS plastic housing with hinged lens frame. Housing incorporates concealed lens gasketing that protects from environmental contaminants.
- LENS — Low Profile, **injection molded, opal polycarbonate lens**, provides evenly diffused light.
- FINISH — Ivory White, Bronze.
- LED — (Small 13") 96 Mid-Power LED Array, CCT: 4000K, 1869 Delivered Lumens
- (Large 17") 144 Mid-Power LED Array, CCT: 4000K, 2633 Delivered Lumens.
- DRIVER — UL Recognized, Class 2 Rated Universal Voltage, 120 thru 277 volt, 50/60Hz Power Factor ≥ 0.90, Maximum 0.4A in.
- DIMMING — Two wire terminations provided for 0-10V dimmers.
OPTIONAL: Compatible with two wire resistance and PWM dimming.
- MOUNTING — Can be surface ceiling or surface wall mounted via supplied junction box strap with threaded nipple. Also supplied with optional four point mounting. Optional pendant mount also available with standard 12" stem length.
- OPTIONS — Optional photocells (120/277/Universal) available. Optional Motion Sensors (Integral/External) available.
- HARDWARE INCLUDED — One trade size universal junction box strap with threaded nipple with ground wire. Also supplied four plastic anchors for four point mounting option. Torx Center Pin Reject, Tamper Proof Screws supplied for secure lockup.
- EMERGENCY — Optional surface mounted emergency battery packs available for indoor use only, or integral 20 watt emergency for indoor/outdoor applications. CONSULT FACTORY for specifications.
- COMPLIANCE — Built to comply with U.S. and Canadian Safety Standards. Suitable for indoor damp and outdoor wet location installations. ETL Listed IP65.



ARRA
Compliant

SIZE/FINISH/MOUNTING OPTIONS



Ceiling Mount
Lewis Large (LW-L)
Bronze Finish (BZ)

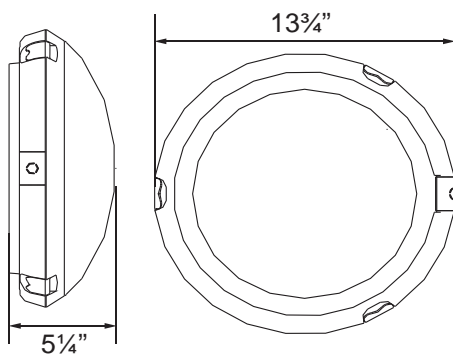


Ceiling Mount
Lewis Small (LW-S)
White Finish (WH)

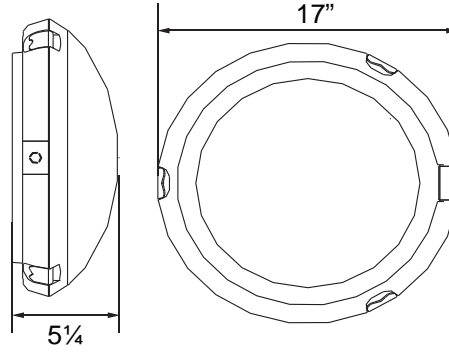


Wall Mount
Lewis Small (LW-S)
White Finish (WH)

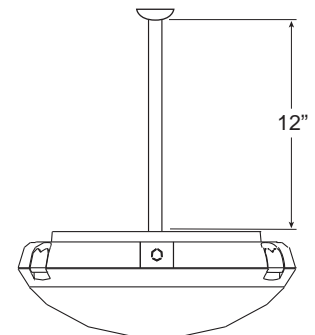
DIMENSIONS



Lewis Small
(LW-S)



Lewis Large
(LW-L)




Pendant Mount Option (PEND)
with Standard 12" Stem

Lewis

Indoor/Outdoor Drum Fixture
Ceiling or Wall Family—Wet Location

APPLICATIONS

- STAIRWELLS
- HALLWAYS
- OUTDOOR BREEZEWAYS
- DORM ROOMS
- CORRIDORS
- HOTEL ROOMS
- EAVES
- VESTIBULES
- HOSPITALS
- ASSISTED LIVING

LAMP TYPE/QTY/WATTAGE ¹		
Visit www.eclipselightinginc.com for available IES files		
Fixture Size	Lewis Small (LW-S)	≠ Lewis Large (LW-L)
Dimensions - Diameter x Depth	13 3/4" Diameter x 5 1/4" Depth	17" Diameter x 5 1/4" Depth
Light Emitting Diode LTM Compatible 	LED	20W
≠ 30W ²		
<i>(values are based on nominal system Watts)</i>		

SPEED OF LIGHT QUICK SHIP PROGRAM

- Orders of 20pcs or Less Ship in 2 Weeks
- Options that are highlighted and feature the ≠ symbol are eligible for the Speed of Light quick ship program

ORDERING GUIDE:	Series	Size	LED Wattage	Color Temp	Voltage	Finish	Options
	<input type="text"/>	<input type="text"/>	<input type="text"/>	<input type="text"/>	<input type="text"/>	<input type="text"/>	<input type="text"/>

SERIES

≠ LW = Lewis Series

SIZE

S = Small (13 3/4" Diameter)
≠ L = Large (17" Diameter)

LED Wattage

See Above Chart

LED COLOR TEMPERATURE

3K = ±3000K range
≠ 4K = ±4000K range
5K = ±5000K range

VOLTAGE

≠ EBU = Universal Voltage (120-277v)

FINISH

BZ = Bronze Finish
≠ WH = White Finish

OPTIONS

9206 = Integral Photocell – 120V
9221 = Integral Photocell – 277V
9328 = Universal Voltage Integral Photocell – 120/277V
FUS = Single GLR Fuse and Fuse Holder
MSE = Motion Sensor External; Single circuit, all on, all off
MSE2 = Motion Sensor External; Dual circuit, half on, half off
MSI1 = Motion Sensor Integral (Microwave)
—Single Circuit: OFF / ALL-ON
MSI2 = Motion Sensor Integral (Microwave)
—Single Circuit: HALF-ON / ALL-ON
PEND = Pendant Mount: Includes standard 12" stem and hang straight canopy
(For Other Stem Lengths, Please Specify Length)

DIMMING OPTIONS

D7 = 0-10V low-voltage LED Dimming
100-30% Std, Consult Factory for Other

EMERGENCY OPTIONS^{3 5}

No onsite Emergency Power (AC or DC) is provided
Specify Fixture Voltage: 120V or 277V Power Feed
A=120V or B=277V

LED Emergency Battery Factory Recommended

EL82 = LED 4 Watt (Integral) – For either L or S
EL85 = LED 20 Watt (Integral) – For Large ONLY
EL88 = LED 16 Watt (Integral) – For either L or S
REL82 = LED 4 Watt (Remote)
REL85 = LED 20 Watt (Remote)
REL88 = LED 16 Watt (Remote)
*Consult Factory for Other Emergency Options

NOTES:

- 1 Consult Factory with requests regarding lamp sources, wattages or voltages not shown.
- 2 Consult Factory for additional Emergency Battery options not shown.
- 3 Max WHIP length with the REL provided by the factory is 8 feet.
- 5 Due to form and fit, final selection of the Battery Pack under discretion of Factory

FULL SPECTRUM OPTIONS

RGB Spectrum

Color Tunable White

1650K

8000K

LTM⁴ = LINEAR TUNABLE MODULE

- araya⁵ Full Color Adjustability
- Color Tunable White (1650-8000K)
- Integrated Bluetooth / 0-10V

Optional Additional Controls with LTM

- DMX = DMX512-A-RDM Accessory Board
- DALI = DALI Accessory Board
- DLM = Digital Light Management
—Accessory Board by Legrand/Wattstopper
- LTRN = Lutron EcoSystem Accessory Board



araya⁵® & Blanco are registered trademarks of Lumenetix

Click for Additional Information