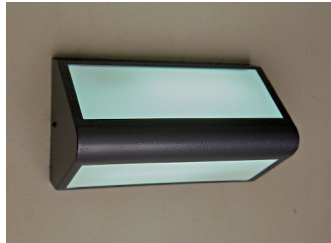


Astro ADA ARCHITECTURAL SERIES

Wall or Ceiling Mount — Horizontal or Vertical
New LED Technology



Astro Vertical Mount



Astro Horizontal Mount



Astro Horizontal Mount with Optional Opaque Top (OQT)

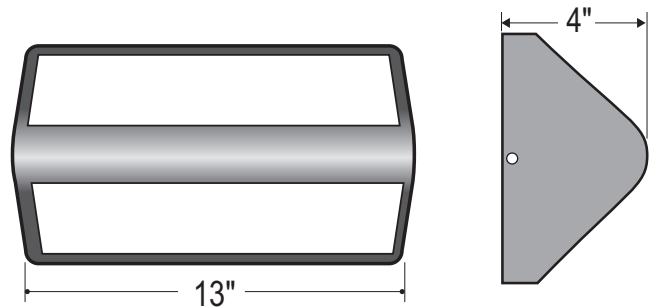
LAMP TYPE/QTY/WATTAGE ①		
Fixture	Astro ADA	
Dimensions - W x H x D	13" x 7" x 4"	
Light Emitting Diode	LED	15w

We reserve the right to revise the design or components of any product without notice.

CATALOG #	PROJECT/LOCATION	APPROVED BY	TYPE

SPECIFICATIONS

- BACKPLATE — 16 Ga. aluminum (AL)
- DIFFUSER — .125 Prismatic Polycarbonate — Up/Down is Standard. Optional Opaque Top (OQT) or Bottom (OQB).
- FASTENERS — Stainless steel tamperproof screws (2) to secure lens in place
- FINISH — Corrosion and Weather resistant pre-treated extremely durable oven baked polyester powder or plated finish.
- GASKETING — High temperature, non-aging black epdm neoprene rubber around the entire lens perimeter and rear wire entrance hole to protect against dust, moisture and outside contaminants
- HOUSING — Modular design using 16 Ga. aluminum. Mounts vertically or horizontally on the wall or ceiling. Standard configurations shown.
- LAMP — Super-Bright White LED.
- MOUNTING — Center access hole for indoor mounting to a "J" box or use (4) 5/16" dia holes for 1/4" dia bolts for outdoor/indoor for some models, Horizontal or Vertical
- POWER FACTOR — Electronic Driver
- UL/ULC — UL/ULC Listed to U.S. and Canadian safety standards. Suitable for wet locations



ORDERING GUIDE:

SERIES	SIZE	LAMP/QTY/WATT	COLOR TEMP	VOLTAGE	FINISH	OPTIONS
AS-ADA	L	1	3K	120	BK	9002

NOTES:

① Consult Factory with requests regarding LEDs, or alternate lamp sources, including color temp., wattages or voltages not shown.

SERIES
AS-ADA = Astro ADA Series (4" deep)

SIZE
L = 13" x 7" x 4"

LAMP TYPE/QUANTITY/WATTAGE
Refer to Above Chart

COLOR TEMPERATURE
3K = ±3500K range
4K = ±4500K range
5K = ±5500K range

VOLTAGE
120 = 120 Volts
277 = 277 Volts
EBU = Universal Volt (120-277v)

FINISH
BK = Black Finish
BZ = Bronze Finish
SGR = Silver Gray Finish
WH = White Finish

LENS OPTIONS
CL = Clear Lens
FL = Frosted Lens
NL = No Lens

LED OPTIONS
LDIM = Dimmable

OPTIONS
9002 = Tamperproof Screwdriver
FUS = Single Fusing
DFUS = Double Fusing
OQB = Opaque Bottom
OQT = Opaque Top
PX = Perflex (Specify Finish)

LED OPTIONS
BL = Dual Circuit for Bi-Level light (High/Low)
EC1 = (1) Three Watt LED for Emergency Circuit
EC2 = (2) Three Watt LED for Emergency Circuit
LDIM = 0-10V low-voltage dimming (100-30% Standard, Consult Factory for Other)

MSE = Motion Sensor External
Specify Finish: Bronze (BZ) or White (WH)

MSI = Motion Sensor Integral

SG = 10KA Surge Protection for LED fixtures (meets ANSI spec C62.41.2)