

540/545 Series



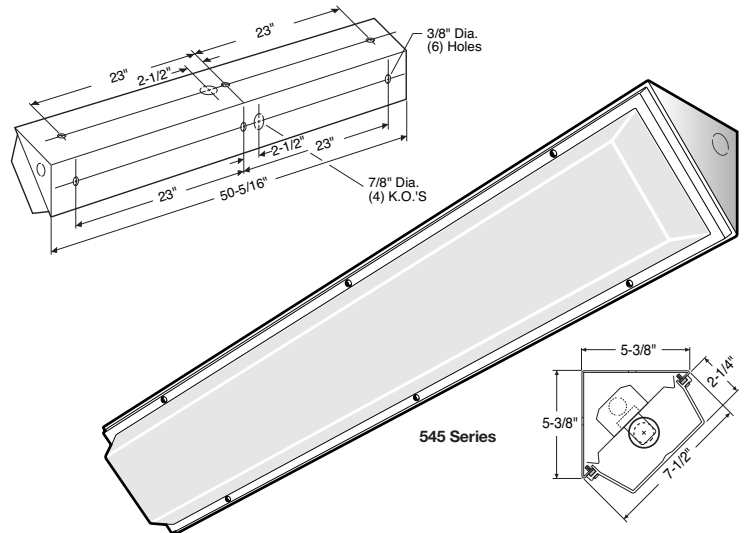
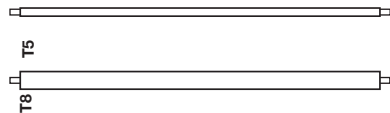
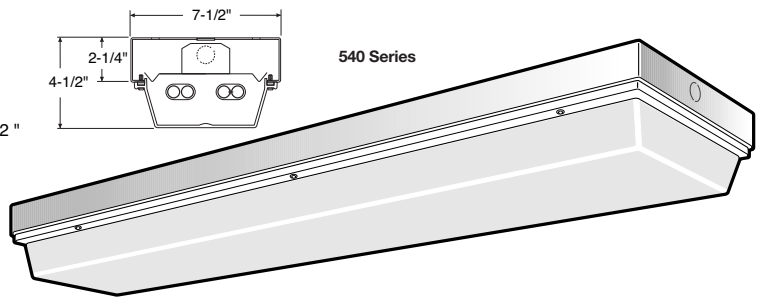
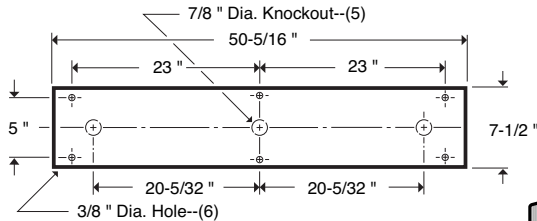
We reserve the right to revise the design or components of any product without notice.

Catalog Number	
Project/Location	Type
Approved By	

VANDAL RESISTANT FIXTURE WALL OR CEILING MOUNT FLUORESCENT

SPECIFICATIONS

- HOUSING— Heavy 16G cold rolled steel with internally reinforced double thickness welded ends for maximum strength and rigidity. Includes knockout for for surface conduit.
- REFLECTOR— 20G cold rolled steel die formed with multiple bends for maximum rigidity and unitized with all electrical components
- FINISH— All metal parts are phosphate pre-treated and finished in white oven baked polyester powder coat.
- LENS— Injection molded U.V. stabilized .130 thick POLYCARBONATE with molded internal frosting to provide transmission properties of clear lens and diffusion properties of white. External leg provides extra seal and internal leg interlocks with housing for maximum strength.
- LENS FASTENERS— Stainless steel tamperproof screws to secure lens in place
– (3) each side -- (6) total
- LAMPS— F28T5, F54T5-HO, F32T8 Bi-Pin Fluorescent – BY OTHERS
- BALLAST— EBU – Instant Start universal volt (120-277v) electronic. Optional PRS – Programmable Rapid Start
- UL/ULC— UL/ULC Listed to U.S. and Canadian safety standards. Ceiling Mount: Suitable For Wet Location. Wall Mount: Suitable For Damp Location



	540	545
Dimensions - W x H x D	50-1/2" x 7-1/2" x 4-1/2"	50-1/2" x 7-1/2" x 5-1/2"
T5 Bi-Pin Fluorescent	(1 or 2)28w	Consult Factory
T5-HO Bi-Pin Fluorescent	n/a	(1 or 2)54w
T8 Bi-Pin Fluorescent	(1, 2 or 3)32w	(1, 2 or 3)32w

Catalog Number Ordering Guide

Example: 545 T8 (2)32 120 EB ELH-T5

SERIES
 540 = 540 Series
 545 = 545 Series

LAMP TYPE
 T5 = F28 T5 Fluorescent Bi-Pin Lamps
 T5-HO = F54 T5 High Output Fluorescent Bi-Pin Lamps
 T8 = F32 T8 Fluorescent Bi-Pin Lamps

LAMP QUANTITY/WATTAGE
 Refer to Above Chart

VOLTAGE
 120 = 120 Volts
 277 = 277 Volts
 347 = 347 Volts
 EBU = High Temp Universal Volt (120-277v) Electronic Ballast Instant Start for Fluorescent

POWER FACTOR
 EB = Electronic Ballast

OPTIONS
 9002 = Tamperproof Screwdriver
 2EB = Two Electronic Ballasts
 AL = Aluminum Construction
 DIM = Dimming Ballast
 EL = Emergency Battery Pack (350-700 Lumens) for T5/T8
 EL-CW = Cold Weather Emergency Battery (300-1300 Lumens) for T8
 ELH-T5 = High Lumen (1100-1400) Emergency Battery Pack for T5 Lamp
 ELH-T8 = High Lumen (1100-1400) Emergency Battery Pack for T8 Lamp
 FUS = Single Fusing
 DFUS = Double Fusing
 PRS = Programmable Rapid Start Ballast