

Liverpool 3

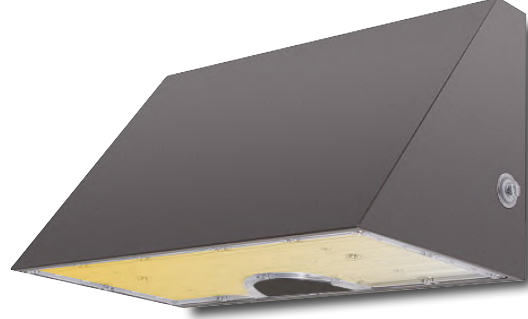
Full Cutoff Wall Pack Luminaire
Selectable Wattage / CCT - Standard Photocell
RoHS Compliant / Wet Location

We reserve the right to revise the design or components of any product without notice.

CATALOG #		TYPE
PROJECT/LOCATION		
APPROVED BY		

SPECIFICATIONS

- DRIVER — Universal Voltage (120-277v) electronic driver with 0-10V dimming.
- HOUSING — Die-cast aluminum.
- FINISH — Polyester powder coated finish.
- LENS — Frosted polycarbonate for non-glare uniform illumination.
- LIGHT ENGINE — Energy efficient LED featuring Selectable Wattage/CCT.
Power Factor >0.90. THD <20%. CRI >70.
- LIFETIME — 50,000+ Hour LED Life Expectancy (L70).
- MOUNTING — Mounts to standard 4" J-BOX.
- OPERATIONAL TEMP — -30°C to +45°C / -22°F to +113°F.
- PHOTOCELL — Standard Integrated Photocell.
- COMPLIANCE — Built to comply with U.S. and Canadian Safety Standards.
UL listed for Wet Location Rated. DLC Premium approved. RoHS Compliant.
- WARRANTY — 5-Year Limited Warranty.



ORDERING INFO

Series	Wattage	CCT	Distribution	Voltage	Finish	Options
ORDERING GUIDE:						

SERIES

LV3 = Liverpool 3 Series

WATTAGE

Refer to Below Chart for Wattage / Lumen Output
 SLED = *Selectable Wattage: 28W | 42W | 56W | 70W

COLOR TEMPERATURE (CCT)

SCCT = *Selectable CCT: 3000K | 4000K | 5000K

*Note: Fixtures will ship from factory at lowest wattage and warmest CCT. It is the installer's responsibility to set the fixture at the desired wattage and CCT for their project.

DISTRIBUTION

- T3 = Type III: 93.5° x 87.4°
- T4 = Type IV: 94.3° x 76.8° (Standard)
- T5 = Type V: 107.3° x 104.9°

VOLTAGE

UNV = Universal Volt (120-277v) Driver

STANDARD FINISH

- BK = Black Finish
- BZ = Bronze Finish
- SGR = Silver Gray
- WH = White Finish

SENSOR OPTIONS

- BLD = Bi-Level Dimming | Motion Sensor Integral
 - Plug & Play Unit
 - Bi-Level Programming
 - Occupancy / Vacancy / Manual / Daylight Harvesting
 - Remote Controller (REMT0009) Required for Programming

OCC-B = Occupancy Motion - Bluetooth® Enabled Sensor

- Plug & Play Unit
- Bluetooth® Network Mesh Compatible
- Area & Zonal Control
- Occupancy / Vacancy / Manual / Daylight Harvesting
- Controlled via Tuya/Sharkward App (iOS or Android)

EMERGENCY BATTERY OPTIONS

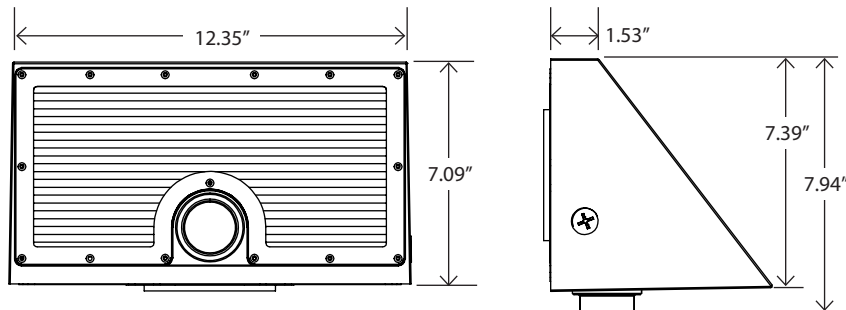
- EL8W = 8 Watt Integral Emergency Battery Backup
 - 24hr Charge Time
 - 90min Backup Time

ACCESSORY OPTIONS (order as a separate line)

REMT0009 = Remote Controller for BLD Sensor Option

	SLED			
WATTAGE	28W	42W	56W	70W
LUMEN	5211 lm	7048 lm	8901 lm	11,156 lm
EFFICACY	170 lm/W	165 lm/W	160 lm/W	170 lm/W

DIMENSIONS



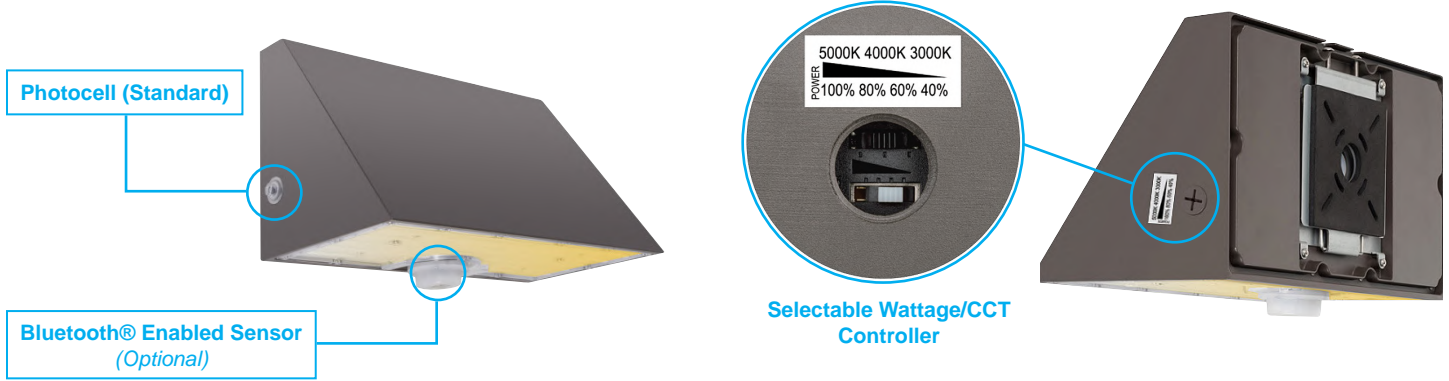
Liverpool 3

Full Cutoff Wall Pack Luminaire
Selectable Wattage / CCT - Standard Photocell
RoHS Compliant / Wet Location

We reserve the right to revise the design or components of any product without notice.

CATALOG #		TYPE
PROJECT/LOCATION		
APPROVED BY		

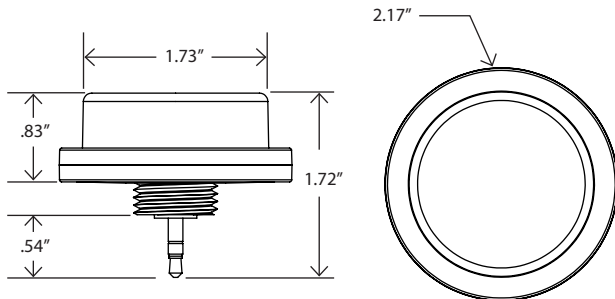
FEATURES



BLUETOOTH® ENABLED SENSOR (OPTIONAL)

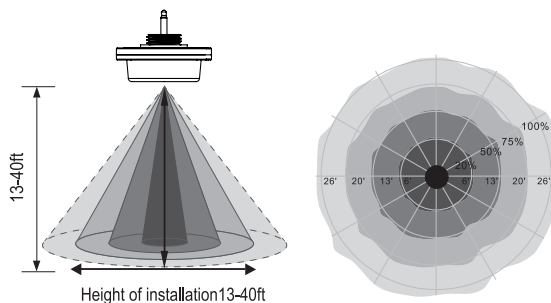


The Bluetooth® word mark and logos are registered trademarks owned by Bluetooth® SIG, Inc.



SENSOR SPECIFICATIONS	
Sensor Model No.	Sharkward Model ANT5-4T-BLE-SR (Silvair)
Network Bluetooth® Mesh	Yes
Daylight Harvesting	Yes
Microwave Motion Sensor	Yes
Detection Mode	Occupancy / Vacancy / Bi-level in 1 Unit
Operating Voltage	12-24V DC
Operating Current	>50mA
Sinking Current	max. 25mA
Control Output	0-10V
Radio Frequency	2.4GHz ± 75MHz
Wireless Standard	Bluetooth® Low Energy 4.2 MESH IEEE 802.15.1
Programming	Tuya/Sharkward App mobile app (IOS and android) or Saas
Cybersecurity	UL 1376
Encryption	AES 128-bit
Mesh Range	60ft node-to-node and 500ft node-to-device (Commissioning)
Safety	cULus Listed
FCC	FCC ID:2AVMOANT-5-X
Operating Temp	-40°F - +158°F (-40°C - +70°C)
IP Rating	IP65
Warranty	5 year limited
SENSOR FEATURES	
Daylight Harvesting	ON / OFF
Motion Sensing	ON / OFF
First Time Delay	1-59 mins / Infinite
Second Time Delay	0-59 mins / Infinite
Dim Level	0-100%
Mounting Height	13-40ft
Detection Range	Up to 52ft Diameter
Detection: Horizontal	360°
Detection: Vertical	90°

Sensor Coverage



Liverpool 3

Full Cutoff Wall Pack Luminaire
Selectable Wattage / CCT - Standard Photocell
RoHS Compliant / Wet Location

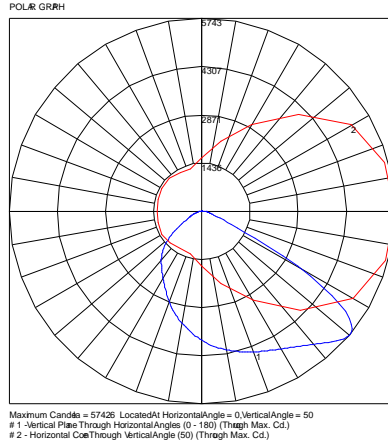
We reserve the right to revise the design or components of any product without notice.

CATALOG #		TYPE
PROJECT/LOCATION		
APPROVED BY		

PHOTOMETRIC DATA

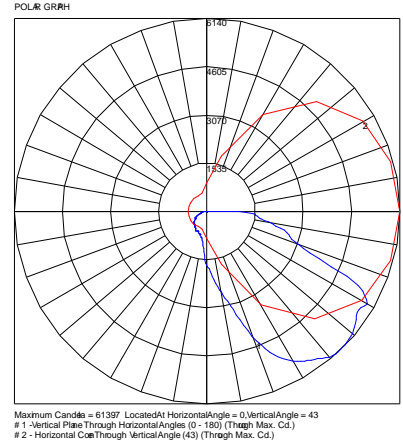
Summary of Results LV3-SLED70-4K-T3-UNV					
Lumen Output	Efficacy	Input Power	CCT	Distribution	BUG Rating
11,124.4 Lumens	160.6 Lm/W	69.27W	4000K	Type III	B3-U0-G1

LCS Summary	
Zone	Lumens
Forward Low (0-30)	1711.7
Forward Medium (30-60)	4476.9
Forward High (60-80)	1399.7
Forward Very High (80-90)	86.0
Back Low (0-30)	1284.5
Back Medium (30-60)	1797.9
Back High (60-80)	343.5
Back Very High (80-90)	24.2
Up Low (90-100)	0.0
Up High (100-180)	0.0



Summary of Results LV3-SLED70-4K-T4-UNV					
Lumen Output	Efficacy	Input Power	CCT	Distribution	BUG Rating
10,751.0 Lumens	155 Lm/W	69.34W	4000K	Type IV	B1-U0-G4

LCS Summary	
Zone	Lumens
Forward Low (0-30)	1254.4
Forward Medium (30-60)	4735.5
Forward High (60-80)	2859.1
Forward Very High (80-90)	533.5
Back Low (0-30)	388.7
Back Medium (30-60)	652.8
Back High (60-80)	288.3
Back Very High (80-90)	38.7
Up Low (90-100)	0.0
Up High (100-180)	0.0



Summary of Results LV3-SLED70-4K-T5-UNV					
Lumen Output	Efficacy	Input Power	CCT	Distribution	BUG Rating
10,764.3 Lumens	155.4 Lm/W	69.25W	4000K	Type VS	B3-U0-G1

LCS Summary	
Zone	Lumens
Forward Low (0-30)	1627.0
Forward Medium (30-60)	2882.0
Forward High (60-80)	839.0
Forward Very High (80-90)	74.5
Back Low (0-30)	1572.3
Back Medium (30-60)	2827.8
Back High (60-80)	861.2
Back Very High (80-90)	80.5
Up Low (90-100)	0.0
Up High (100-180)	0.0

