

Munich-FSB

Full Cutoff Wall Pack Luminaire
Field Selectable Wattage / CCT
IP65 Rated / Wet Location

We reserve the right to revise the design or components of any product without notice.

CATALOG #		TYPE
PROJECT/LOCATION		
APPROVED BY		

SPECIFICATIONS

- DRIVER — Universal voltage (120-277V), 0-10V dimming electronic driver is standard.
- FINISH — Chip and fade resistant powder coat finish.
- HOUSING — Precision die cast aluminum housing with three 1/2" NPT threaded openings.
- LENS — Polycarbonate lens.
- LIGHT ENGINE — Field Selectable LED Wattage / CCT with at least 70% of initial lumen output (L70) for ≥136,000 hours of operation. Minimum 90% of initial lumen output (L90) for ≥41,000 hours of operation.
- OPERATIONAL TEMPERATURE — -40°C to 45°C (-40°F to 113°F)
- MOUNTING — Easy wall mount installation to standard 4" square electrical J-BOX.
- COMPLIANCE — Built to comply with U.S. Safety Standards. DLC premium approved. Complies with FCC Part 15 (Class B), Surge Immunity Protection (4kV). IP65 Rated for Ingress Protection and UL listed for Wet Locations.
- WARRANTY — 5-year warranty on all electronics and housing parts.



ORDERING INFO

ORDERING GUIDE:	Series	Wattage	CCT	Voltage	Finish	Options

SERIES

MU-FSB = Munich Field Selectable - Wattage / CCT

WATTAGE

SLED-L = *Selectable LED - Low: 36W | 48W | 59W
 SLED-H = *Selectable LED - High: 72W | 94W | 116W

COLOR TEMPERATURE (CCT)

SCCT = *Selectable CCT: 3000K | 4000K | 5000K

**Note: Fixtures will ship from factory at lowest wattage and warmest CCT. It is the installer's responsibility to set the fixture at the desired wattage and CCT for their project.*

VOLTAGE

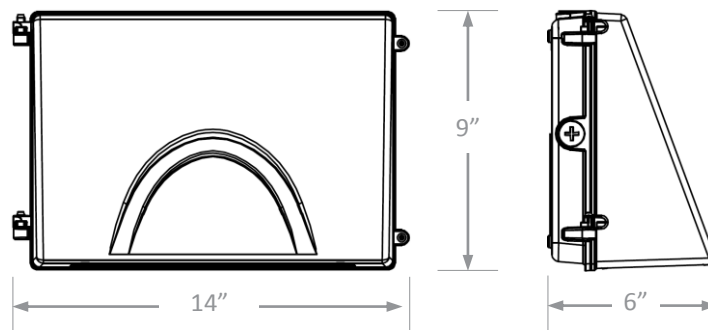
UNV = Universal Volt (120-277v) Electronic Driver

STANDARD FINISH

BZ = Bronze Finish

SLED Type	Wattage Setting	Low Wattage			Medium Wattage			High Wattage		
	Color Temp	3000K	4000K	5000K	3000K	4000K	5000K	3000K	4000K	5000K
SLED-L	Wattage	36W	35W	36W	48	46	48	59	57	59
	Lumens	5251	5526	5722	6659	7048	7198	7877	8682	8552
	Efficacy	145	161	158	139	156	151	133	152	144
SLED-H	Wattage	72	71	72	94	92	94	116	113	116
	Lumens	10,352	10,987	11,227	12,850	13,760	13,916	15,065	16,848	16,374
	Efficacy	143	159	155	136	154	148	130	149	141

DIMENSIONS



Munich-FSB

*Full Cutoff Wall Pack Luminaire
Field Selectable Wattage / CCT
IP65 Rated / Wet Location*

We reserve the right to revise the design or components of any product without notice.

CATALOG #		TYPE
PROJECT/LOCATION		
APPROVED BY		

PHOTOMETRIC DATA

Summary of Results MU-FSB-SLED(59W)-SCCT(5K)-UNV					
Lumen Output	Efficacy	Input Power	CCT	Distribution	BUG Rating
8,552 Lumens	145 Lm/W	59W	5000K	Type II	B3-U0-G1

LCS Summary	
Zone	Lumens
Forward Low (0-30)	1,491
Forward Medium (30-60)	2,912
Forward High (60-80)	775
Forward Very High (80-90)	49
Back Low (0-30)	1,219
Back Medium (30-60)	1,836
Back High (60-80)	260
Back Very High (80-90)	11
Up Low (90-100)	0
Up High (100-180)	0

