

Stockholm Shallow

EURO BULKHEAD WALL PACK FAMILY

Selectable Wattage / CCT Series

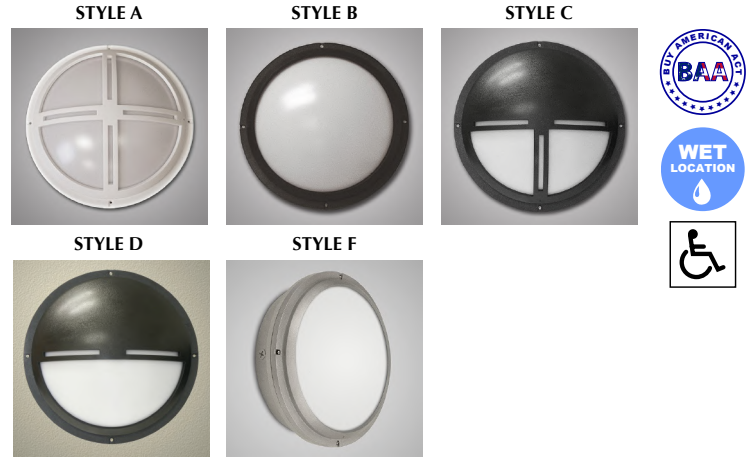
Vandal-Resistant / ADA Compliant

We reserve the right to revise the design or components of any product without notice.

CATALOG #		TYPE
PROJECT/LOCATION		
APPROVED BY		

SPECIFICATIONS

- **DIFFUSER** — Smooth Opal White Injection Molded Polycarbonate standard. Optional Ribbed Frosted Opal Lens (RF), Optional Frosted Opal Lens (FRO).
- **DRIVER** — Universal Voltage 120/277v Electronic Driver with 0-10V dimming.
- **EMERGENCY** — Optional Remote LED Emergency Battery.
- **FASTENERS** — (4) Stainless steel tamperproof Torx screws to secure lens to backplate.
- **FINISH** — Extremely durable oven baked Polyester Powder Coat is Standard.
- **GASKETING** — One Piece Die Cut 3/16" Thick Black EPDM.
- **HOUSING** — Marine Grade cast aluminum.
- **LIGHT ENGINE** — Energy Efficient Light Emitting Diode - Selectable Wattage / CCT.
- **MOUNTING HOLES** — (4) 5/16" Diameter Holes for 1/4" Diameter Bolts.
- **COMPLIANCE** — Built to comply with U.S. and Canadian Safety Standards. Buy American Act (BAA) and ADA Compliant. Suitable for Wet Locations.
- **WARRANTY** — 5-Year Limited Warranty.



ORDERING INFO - SELECTABLE WATTAGE/CCT SERIES

Series	Style	Wattage	CCT	Voltage	Finish	Options

SERIES

- SK-S = Stockholm Bulkhead Shallow Casting Series
 - 4" Depth (ADA Compliant)
 - Not for Use with Side Conduit Entry

STYLE

- A = Style A: with Cage
- B = Style B: no cage
- C = Style C: Eyelid with Vertical Bar
- D = Style D: Eyelid
- F = Style F: Flat Lens

WATTAGE

- Note: Refer to Below Chart for Lumen Output
- SLED = *Selectable LED Wattage: 13.5W | 17W | 20.5W

COLOR TEMPERATURE (CCT)

- SCCT = *Selectable CCT: 3000K | 3500K | 4000K | 5000K
- *Note: Fixtures will ship from factory at lowest wattage and warmest CCT. It is the installer's responsibility to set the fixture at the desired wattage and CCT for their project.

VOLTAGE

- UNV = Universal Volt (120-277v) Driver

STANDARD FINISH

- BK = Black Finish
- WH = White Finish

PREMIUM UPCHARGE FINISH

- Note: Premium Finishes Require MOQ = 5pcs
- BZ = Bronze Finish
- PNA = Painted Natural Aluminum
- CC = Custom Color (Visit www.ralcolor.com)
 - Provide RAL# or Make-to-Match Color Chip

INHIBITOR FINISH

- Note: Inhibitor Finishes Require MOQ = 5pcs
- +NAT = Epoxy Coating for Chlorine Environments
- +OFC = Epoxy Coating for Ocean Front Environments

LENS OPTIONS

- FRO = Frosted Opal
- RC = Ribbed Clear
- RF = Ribbed Frosted
- RW = Ribbed White

MISC OPTIONS

- FUS = Single Fusing

EMERGENCY BATTERY OPTIONS[Ⓢ] Ⓣ

- Meets California Energy Commission Title 20: (CEC-400-2014-009-CMF) Efficiency Standards
- REL8W = Remote LED 8 Watt
- REL10W = Remote LED 10 Watt
- REL16W = Remote LED 16 Watt

Cold Weather Emergency Batteries:

- Operating Temp: -20°C thru 50°C / NON-CEC Compliant
- REL10W-CW = Remote LED 10 Watt (Cold Weather)

ACCESSORY OPTIONS (order as a separate line)

- 9002 = Tamperproof Screwdriver
- REMT = Remote Controller for Sensor Options

NOTES:

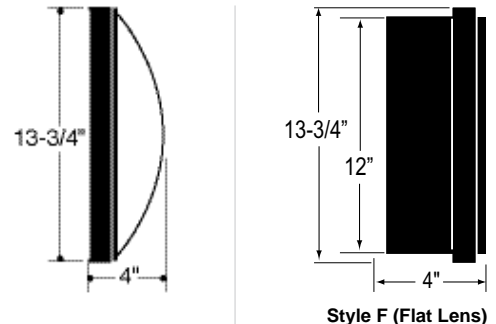
- Ⓢ Max WHIP length with the REL provided by the factory is 8 feet.
- Ⓣ Final selection of the Battery Pack under discretion of Factory.

WATTAGE / LUMEN OUTPUT

Selectable LED Wattage / Lumen Output		
Low Power	Medium Power	High Power
13.5 Watt (2150 Lumens)	17 Watt (2400 Lumens)	20.5 Watt (3150 Lumens)

Note: Lumen output based on 4000K CCT.

DIMENSIONS



Stockholm Shallow

EURO BULKHEAD WALL PACK FAMILY

Static Wattage / CCT Series

Vandal-Resistant / ADA Compliant

We reserve the right to revise the design or components of any product without notice.

CATALOG #		TYPE
PROJECT/LOCATION		
APPROVED BY		

SPECIFICATIONS

- DIFFUSER — Smooth Opal White Injection Molded Polycarbonate standard. Optional Ribbed Frosted Opal Lens (RF), Optional Frosted Opal Lens (FRO).
- DRIVER — Universal Voltage 120/277v Electronic Driver with 0-10V dimming.
- EMERGENCY — Optional Remote LED Emergency Battery.
- FASTENERS — (4) Stainless steel tamperproof Torx screws to secure lens to backplate.
- FINISH— Extremely durable oven baked Polyester Powder Coat is Standard.
- GASKETING — One Piece Die Cut 3/16" Thick Black EPDM.
- HOUSING — Marine Grade cast aluminum.
- LIGHT ENGINE — Energy Efficient Light Emitting Diode - Static Wattage / CCT (Non-Selectable).
- MOUNTING HOLES — (4) 5/16" Diameter Holes for 1/4" Diameter Bolts.
- COMPLIANCE — Built to comply with U.S. and Canadian Safety Standards. Buy American Act (BAA) and ADA Compliant. Suitable for Wet Locations.
- WARRANTY — 5-Year Limited Warranty.



ORDERING INFO - STATIC WATTAGE/CCT SERIES

Series	Style	Wattage	CCT	Voltage	Finish	Options

SERIES

- SK-S = Stockholm Bulkhead Shallow Casting Series
 - 4" Depth (ADA Compliant)
 - Not for Use with Side Conduit Entry

STYLE

- A = Style A: with Cage
- B = Style B: no cage
- C = Style C: Eyelid with Vertical Bar
- D = Style D: Eyelid
- F = Style F: Flat Lens

WATTAGE

LED25 = LED 25 Watt (Static Wattage - Non-Selectable)

COLOR TEMPERATURE (CCT)

- 3K = ±3000K range LED
- 35K = ±3500K range LED
- 4K = ±4000K range LED
- 5K = ±5000K range LED

VOLTAGE

UNV = Universal Volt (120-277v) Driver

STANDARD FINISH

- BK = Black Finish
- WH = White Finish

PREMIUM UPCHARGE FINISH

- Note: Premium Finishes Require MOQ = 5pcs
- BZ = Bronze Finish
- PNA = Painted Natural Aluminum
- CC = Custom Color (Visit www.ralcolor.com)
 - Provide RAL# or Make-to-Match Color Chip

INHIBITOR FINISH

- Note: Inhibitor Finishes Require MOQ = 5pcs
- +NAT = Epoxy Coating for Chlorine Environments
- +OFC = Epoxy Coating for Ocean Front Environments

LENS OPTIONS

- FRO = Frosted Opal
- RC = Ribbed Clear
- RF = Ribbed Frosted
- RW = Ribbed White

MISC OPTIONS

- FUS = Single Fusing

SENSOR CONTROL

- OCC = Occupancy Sensing | Motion Sensor Integral²⁰
 - Microwave / Single Feed / 120/277V Only
 - Standby Dim Level Presets: ON/OFF (0%/100%)

EMERGENCY BATTERY OPTIONS^{50 55}

- Meets California Energy Commission Title 20: (CEC-400-2014-009-CMF) Efficiency Standards
- REL8W = Remote LED 8 Watt
- REL10W = Remote LED 10 Watt
- REL16W = Remote LED 16 Watt

Cold Weather Emergency Batteries:

- Operating Temp: -20°C thru 50°C / NON-CEC Compliant
- REL10W-CW = Remote LED 10 Watt (Cold Weather)

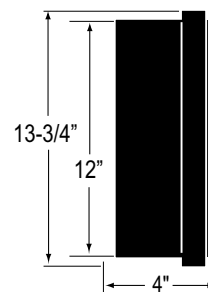
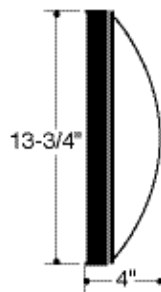
ACCESSORY OPTIONS (order as a separate line)

- 9002 = Tamperproof Screwdriver
- REMT = Remote Controller for Sensor Options

NOTES:

- ²⁰ Max mounting height of fixture is 10' (10 feet).
- ⁵⁰ Max WHIP length with the REL provided by the factory is 8 feet.
- ⁵⁵ Final selection of the Battery Pack under discretion of Factory.

DIMENSIONS



Style F (Flat Lens)