

We reserve the right to revise the design or components of any product without notice.

85 Shallow

Recessed Luminaire

Plaster Frame / Rough-In

LED / NON-IC

CATALOG #		TYPE
PROJECT/LOCATION		
APPROVED BY		

SPECIFICATIONS

- **MINIMUM ORDER QUANTITY — MOQ of 25 pieces.**
- **DRIVER** — Universal voltage (120-277v) electronic driver with 0-10V dimming, standard.
- **EMERGENCY** — Remote emergency backup battery.
- **FASTENERS** — (4) Stainless steel tamperproof Torx screws to secure door to housing.
- **FINISH** — Housing, doorframe, and LED gear tray finished in phosphate pre-treated, oven baked white powder coat. Galvanized plaster frame furnished raw.
- **GASKETING** — Neoprene gasketing supplied between the doorframe and housing to protect against environmental contaminants and prevent light leak.
- **HOUSING** — 20-gauge CRS, die formed and spot-welded construction.
- **LIGHT ENGINE** — Energy efficient light emitting diode arrays with a minimum initial lumens per watt of 130LPW (80CRI).
- **LENS** — 5/32" (.156") thick K12 prismatic polycarbonate lens is standard.
- **LED TRAY** — 14-gauge die formed aluminum. Designed to thermally manage heat from LEDs.
- **MOUNTING** — Pre-construction Butterfly Mounting Wings is standard (for use with L-channel installations). See page 2 for more mounting options.
- **COMPLIANCE** — Built to comply with U.S. and Canadian safety standards. Complies with Buy American Act. Suitable for Wet, Damp or Dry Locations; Covered Ceilings. Made in USA / Buy America Compliant / Buy American Act. NOT FOR USE WITH INSULATED CEILINGS.



ORDERING INFORMATION

Series	Wattage	CCT	Voltage	Finish	Options
ORDERING GUIDE:					

SERIES

Note: 85-S has a Minimum Order Quantity of 25pcs
85-S = 85 Shallow Series (13" Sq. x 7-3/4" Depth)

LED WATTAGE

LED30 = 30 Watt LED | 3600 Lumens
LED40 = 40 Watt LED | 4800 Lumens
LED45 = 45 Watt LED | 5400 Lumens

LED COLOR TEMPERATURE (CCT)

3K = ±3000K range LED
35K = ±3500K range LED
4K = ±4000K range LED
5K = ±5000K range LED

VOLTAGE

347 = 347 Volts
UNV = Universal Volt (120-277v) Electronic Driver
2UNV = Two Universal Volt (120-277v) Electronic Drivers

FINISH (Door Frame)

BK = Black Finish
BZ = Bronze Finish
PNA = Painted Natural Aluminum
SCR = Silver Gray
WH = White Finish is Standard on Door Only
CC = Custom Color (Visit www.ralcolor.com)
 — Provide RAL# or Make-to-Match Color Chip

LENS OPTIONS

81 = .156" K12 Prismatic Polycarbonate (Standard)
82 = .187" K12 Prismatic Polycarbonate
98 = .118" Frosted Polycarb. / Glare Control

DIMMING OPTIONS

Note: 0-10V 100%-30% is Standard
D7A = 0-10VDC LED Dimming Driver (100-10%)
D7B = 0-10VDC LED Dimming Driver (100-1%)

SENSOR OPTIONS

Note: See Accessory Options for Required Remote Controller
OCC = Motion Sensor Integral[Ⓢ]
 — Microwave / Single Feed / 120/277V Only
 — Standby Dim Level Presets: ON/OFF
BLD = Bi-Level Dimming | Motion Sensor Integral[Ⓢ]
 — Microwave / Single Feed / 120/277V Only
 — Standby Dim Level Presets: 10% / 20% / 30% / 50%
BLS = Bi-Level Switching — Using 2 Drivers (2UNV)

MISC OPTIONS

FUS = Single Fusing
DFUS = Double Fusing
BHNGR = Bar Hanger
PRFM = Lay-In Plaster Frame

EMERGENCY / BATTERY OPTIONS^{Ⓢ5}

No onsite Emergency Power (AC or DC) is provided

GTD1 = Generator Transfer Device (Signify)
GTD2 = Generator Transfer Device (LGTD)
 — Shunt Relay w/Fire Alarm Override Input

Meets California Energy Commission Title 20:
 (CEC-400-2014-009-CMF) Efficiency Standards

EL4W = Integral LED 4 Watt
EL8W = Integral LED 8 Watt
EL16W = Integral LED 16 Watt

Cold Weather Emergency Batteries:

Operating Temp: -20°C thru 50°C
 NON-CEC Compliant

REL10W-CW = Remote LED 10 Watt (Cold Weather)
REL23W-CW = Remote LED 23 Watt (Cold Weather)

ACCESSORY OPTIONS

Note: Accessory options ordered as additional line item.
9002 = Tamperproof Screwdriver
REMT = Remote Controller for Sensor Options

NOTES:

- Ⓢ Max mounting height of fixture is 18' (18 feet)
- Ⓢ Max WHIP length of the REL is 8 feet.
- Ⓢ Final selection of the Battery Pack under discretion of Factory

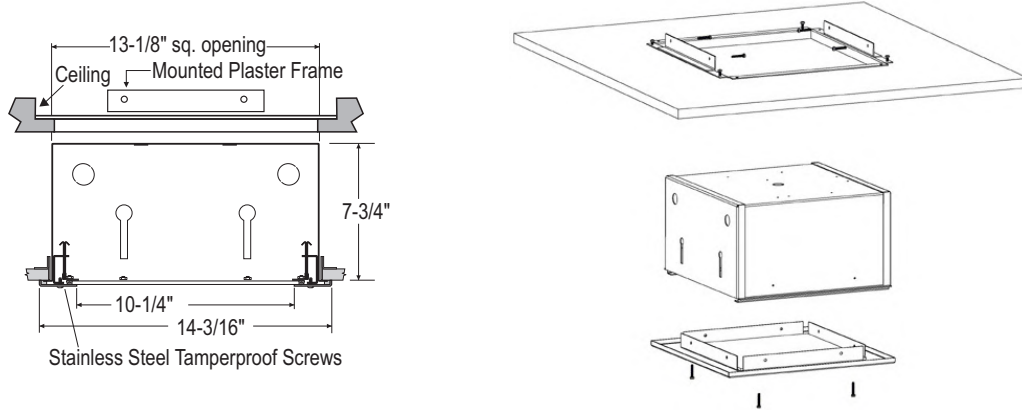
85 Shallow

Recessed Luminaire
Plaster Frame / Rough-In
LED / NON-IC

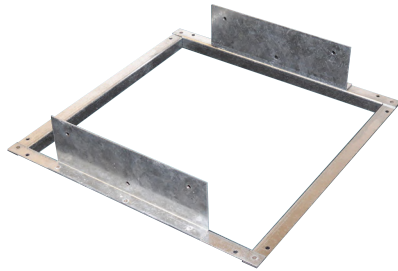
We reserve the right to revise the design or components of any product without notice.

CATALOG #		TYPE
PROJECT/LOCATION		
APPROVED BY		

DIMENSIONS / INSTALLATION



OPTIONS



Lay-in Plaster Frame
(Ships Ahead of Fixtures)



Bar Hanger (BHNGR)
Used in Pre-construction or in renovations where the ceiling is open to the wood rafters

LIGHT DISTRIBUTION TEST DATA

LIGHT TEST SUMMARY

Test Date: 7/28/2017
 Fixture Mounting Height: 7 Feet
 Sustained Watts: 43 Watts
 Sustained Amps: N/A
 Unit of Distance Measurement: Feet
 Unit of Light Measurement: Foot-Candle (fc)
 Fixture Window: 6" Window Opening

